

# TEXAN SERIES ODK COMPONENTS

## PRODUCT

36" Double Access Vented Door

Item No. TEX-36VDD

## DESCRIPTION

36" Texan Series Vented Double Door, works best w/appliance between 34" to 40" Width & Singular Vent Location

## PRODUCT DIMENSIONS

**Product Size:** 36" WIDTH x 20-1/2" HEIGHT x 1-3/4" DEPTH  
**Cut-Out Size:** 34-1/8" WIDTH x 19" HEIGHT x 1-3/4" DEPTH

## SPECIFICATIONS

304 Stainless Steel Construction Frame, Doors & 304 SS Rod Handles

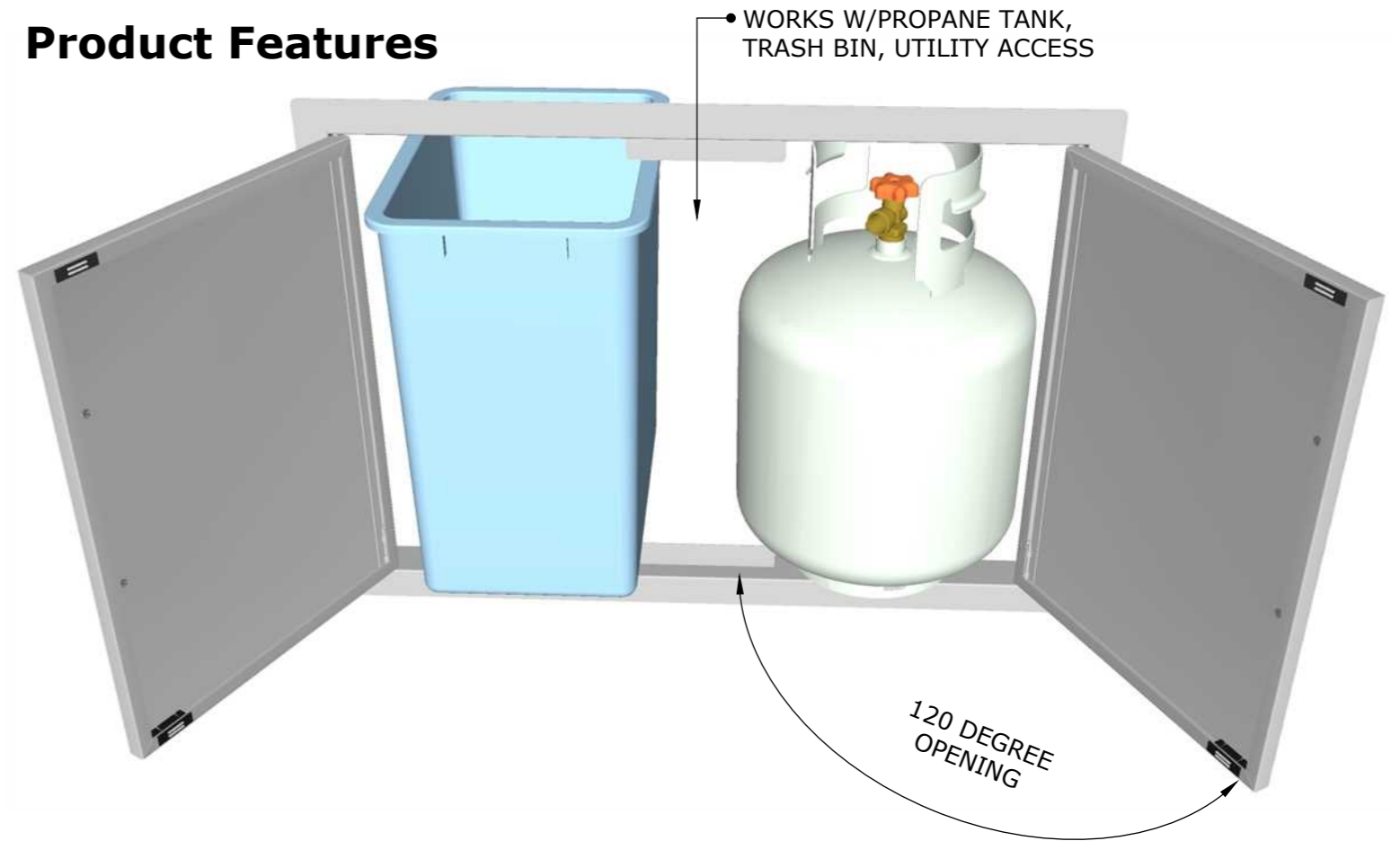
## WARRANTY

- EXTERIOR FINISH -----3 YEARS
- STRUCTURE -----3 YEARS
- HANDLE-----1 YEAR

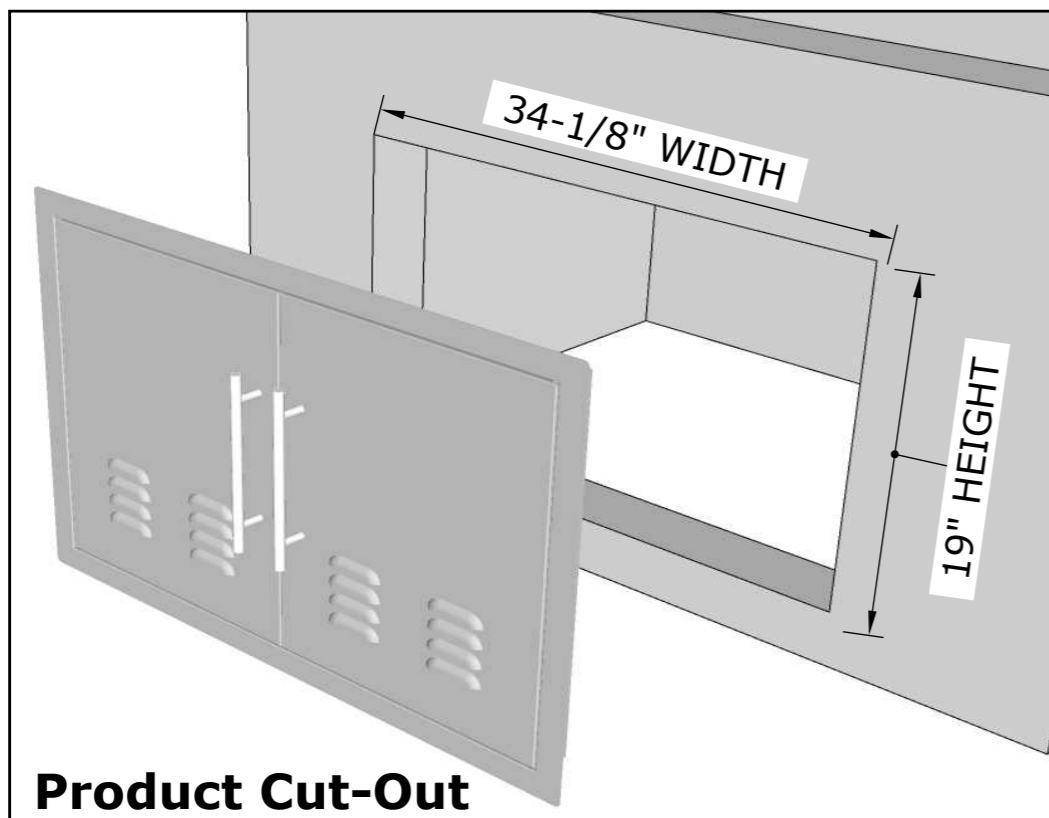
### Product Dimensions



### Product Features



ISLAND WALL CUT-OUT SIZE:  
34-1/8" WIDTH x 19" HEIGHT x 20-1/2" DEPTH



### Product Cut-Out

OPEN SLOTS ALLOW FOR EASY INSTALLATION

HAVE COMPONENT ON SITE BEFORE MAKING ISLAND CUTS, CONFIRM ALL DIMENSIONS BEFORE CUTTING INTO ISLAND WALL

MOUNT TO INTERIOR ISLAND CUT-OUT EDGE USING SCREW CONSISTENT WITH YOUR INSTALLATION TYPE. CONCRETE, MASONRY, WOOD, METAL ALL USE DIFFERENT SCREW TYPES (HARDWARE NOT INCLUDED)

