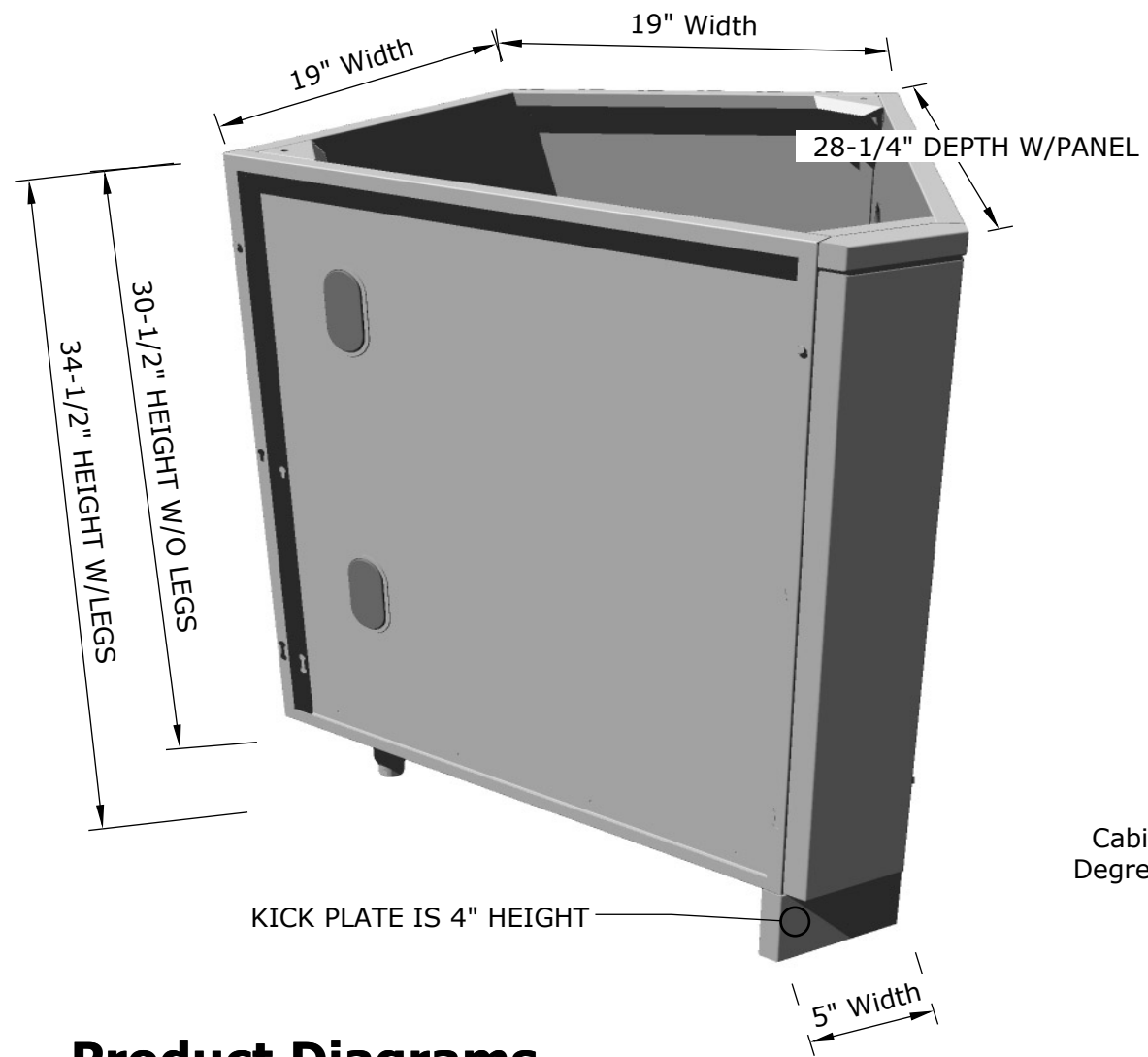
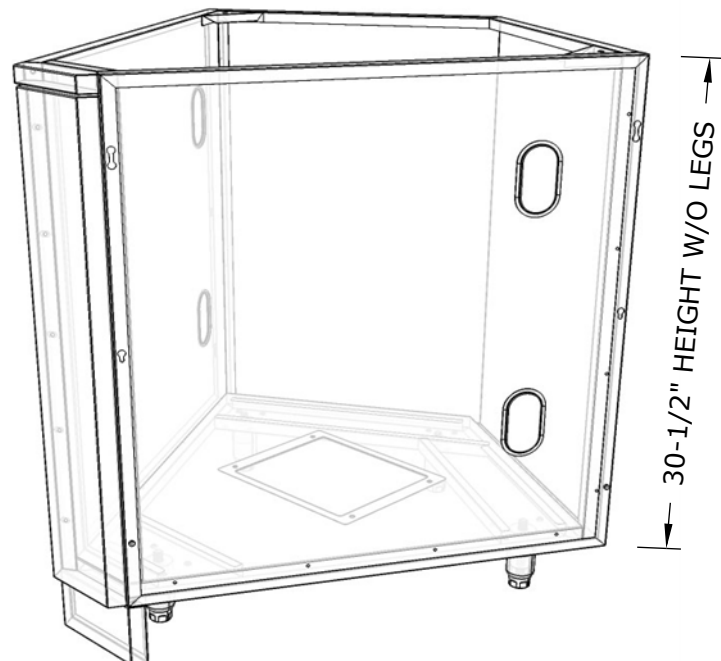


Product Dimensions

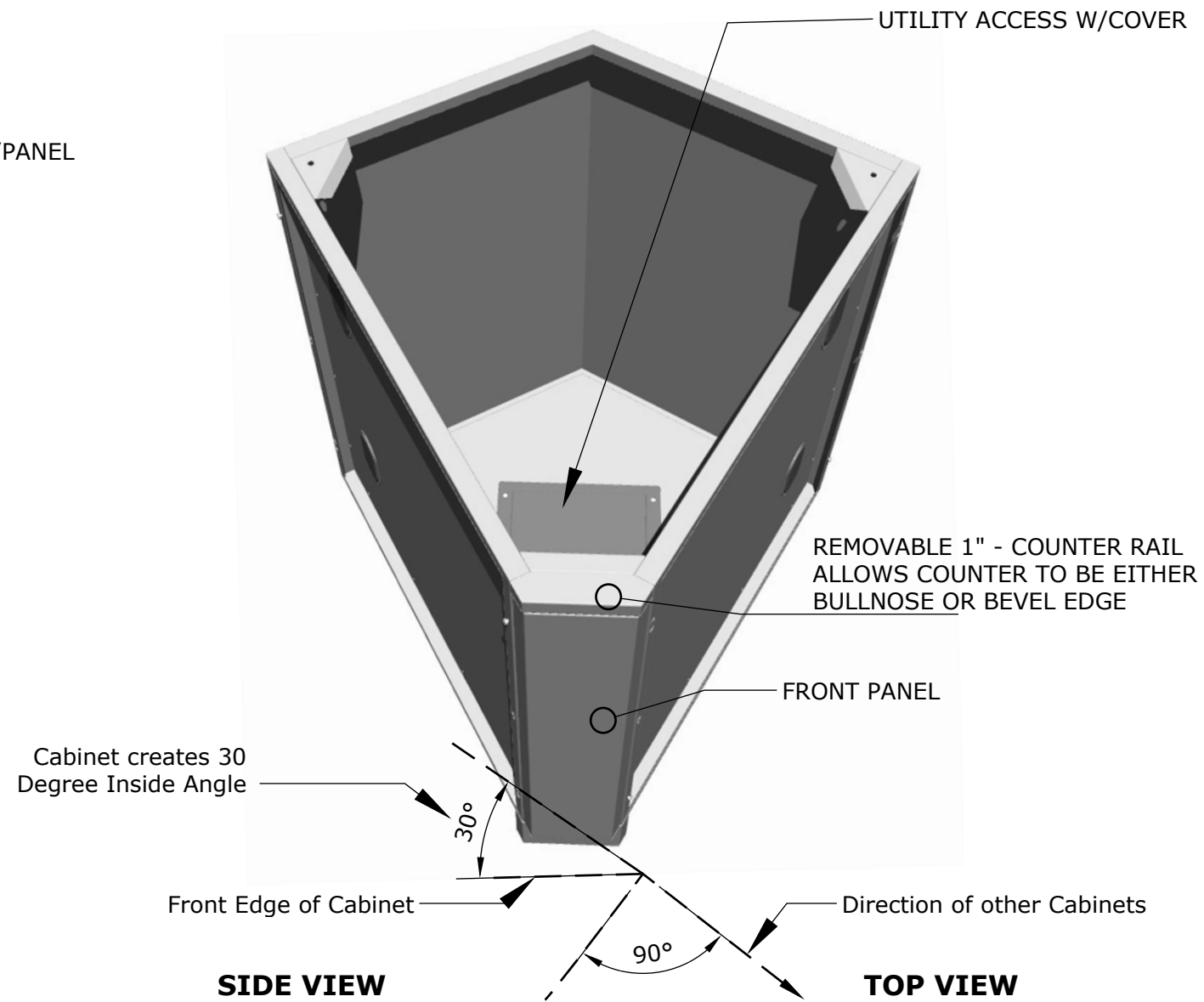


Product Diagrams

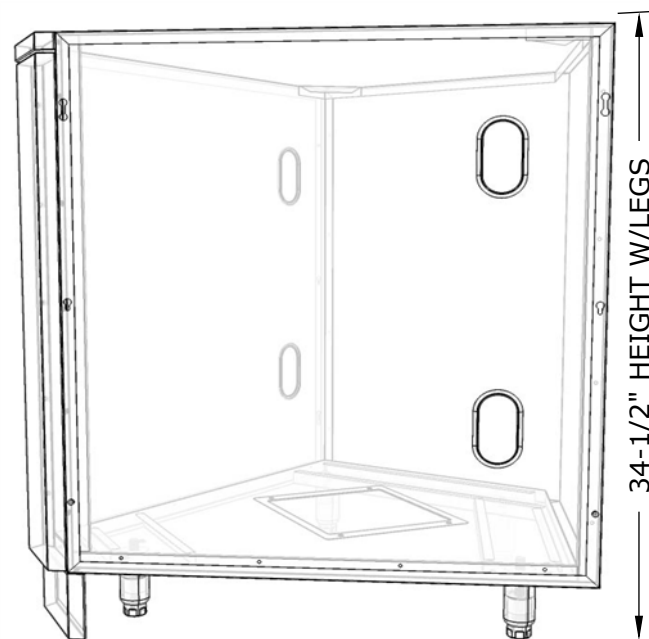
ISO VIEW



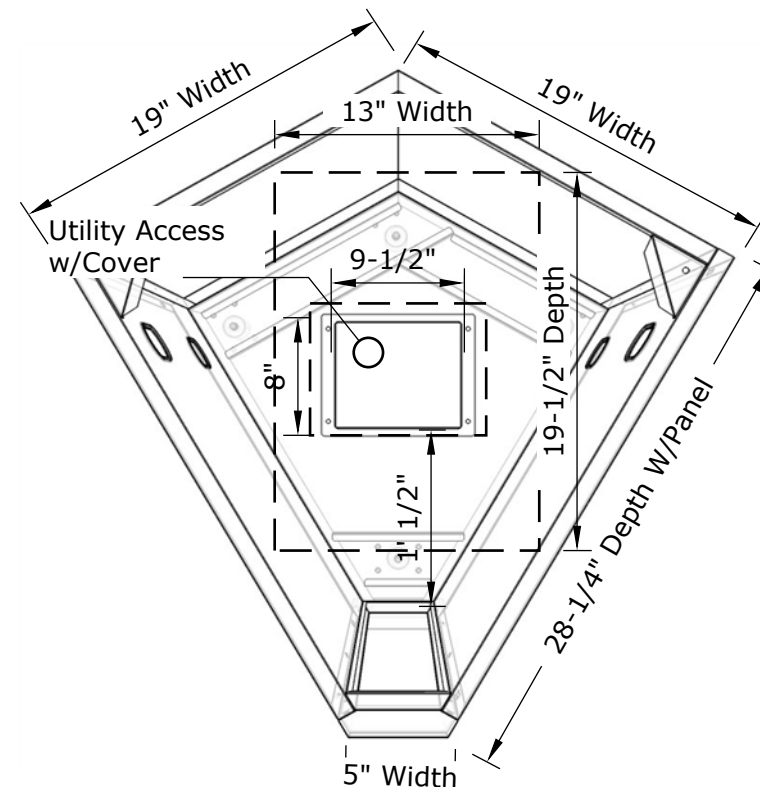
Product Components



SIDE VIEW



TOP VIEW



SUNSTONE METAL PRODUCTS
16004 CENTRAL COMMERCE DR.
PFLUGERVILLE, TEXAS 78660
Tel: 888.934.9449
Bus: 512.487.5116
Fax: 512.487.7016

PRODUCT

30 Degree Corner
Cabinet w/Utility Access

Item No. SBC5C30

DESCRIPTION

5" Front Face Panel Corner
Cabinet allows for 30 degree
angle to be created, w/Utility
Access Hole in base with cover

- Lifetime Structure Warranty
- 304 Stainless Steel Structure
- 304 SS Rod Handles
- Front & Back Kick-Plates
- Easy Pin-Lock Installation
- Soft-Close Drawer Tracks
- Covered Access Ports
- Adjustable Peg-Legs
- Optional Wheel Casters

INCLUDED COMPONENTS

- Front Kick Plates
- Back Solid Kick Plate
- (4) Adjustable Peg Legs
- Floor Utility Access

PRODUCT DIMENSIONS

3"W x 3"W by 30 Degree Inside
Radius x 28-1/4"D (w/Front Panel
each left & Right side) x 34-1/2"H
(w/Legs) or 30-1/2"H (no Legs) or
Upto 36" Max Adjustable Height

INSERT DIMENSIONS

See Rectangle on "Top View"
13" Width x 19-1/2" Depth

INSERTABLE PRODUCTS

Side Burner - 1SSB

MATERIAL SPECS

304 Stainless Steel entire
structure, 18 Gauge for Door
Panel, 18 Gauge for Cabinet
Box, 18 Gauge for Shelf,
Handles are made of Solid 304
Stainless Steel Bar.