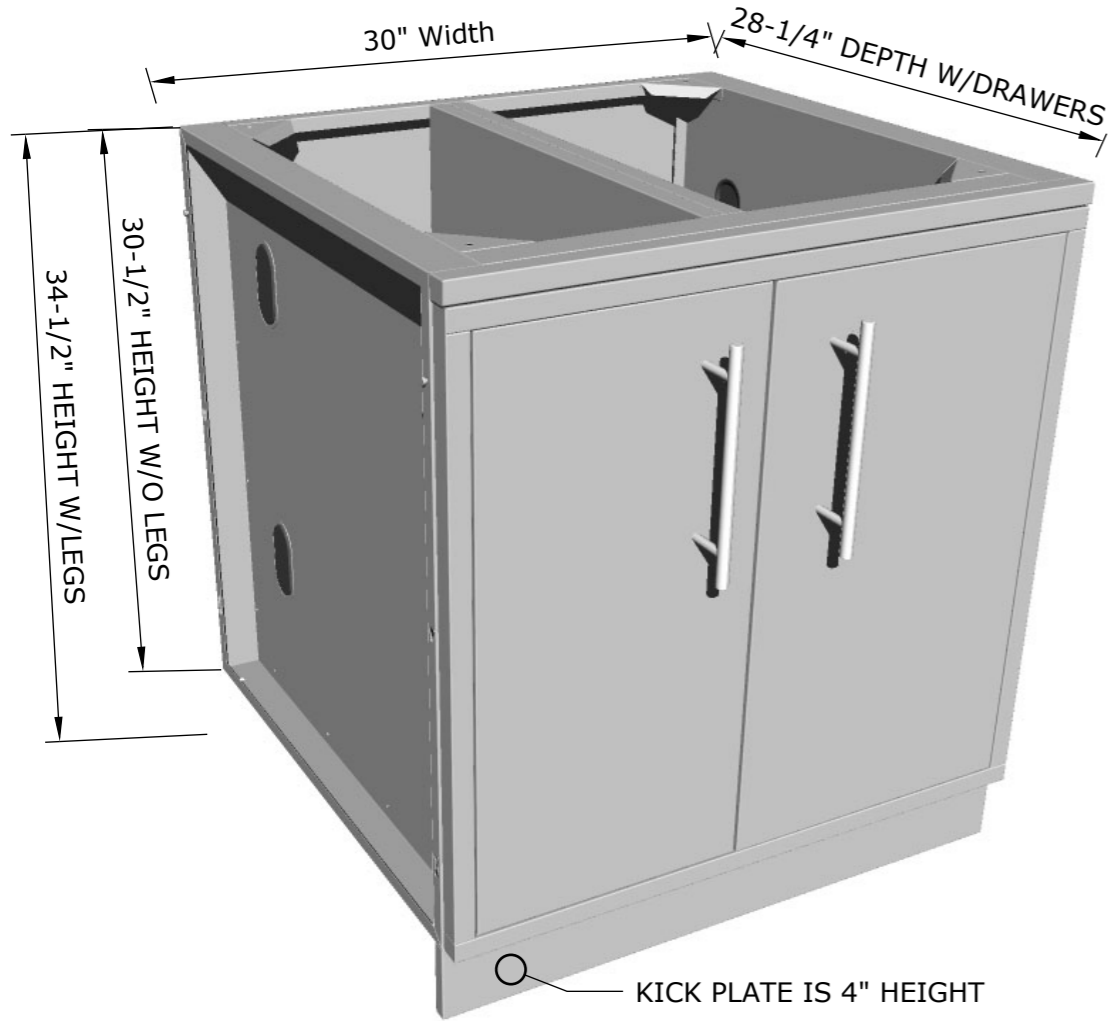
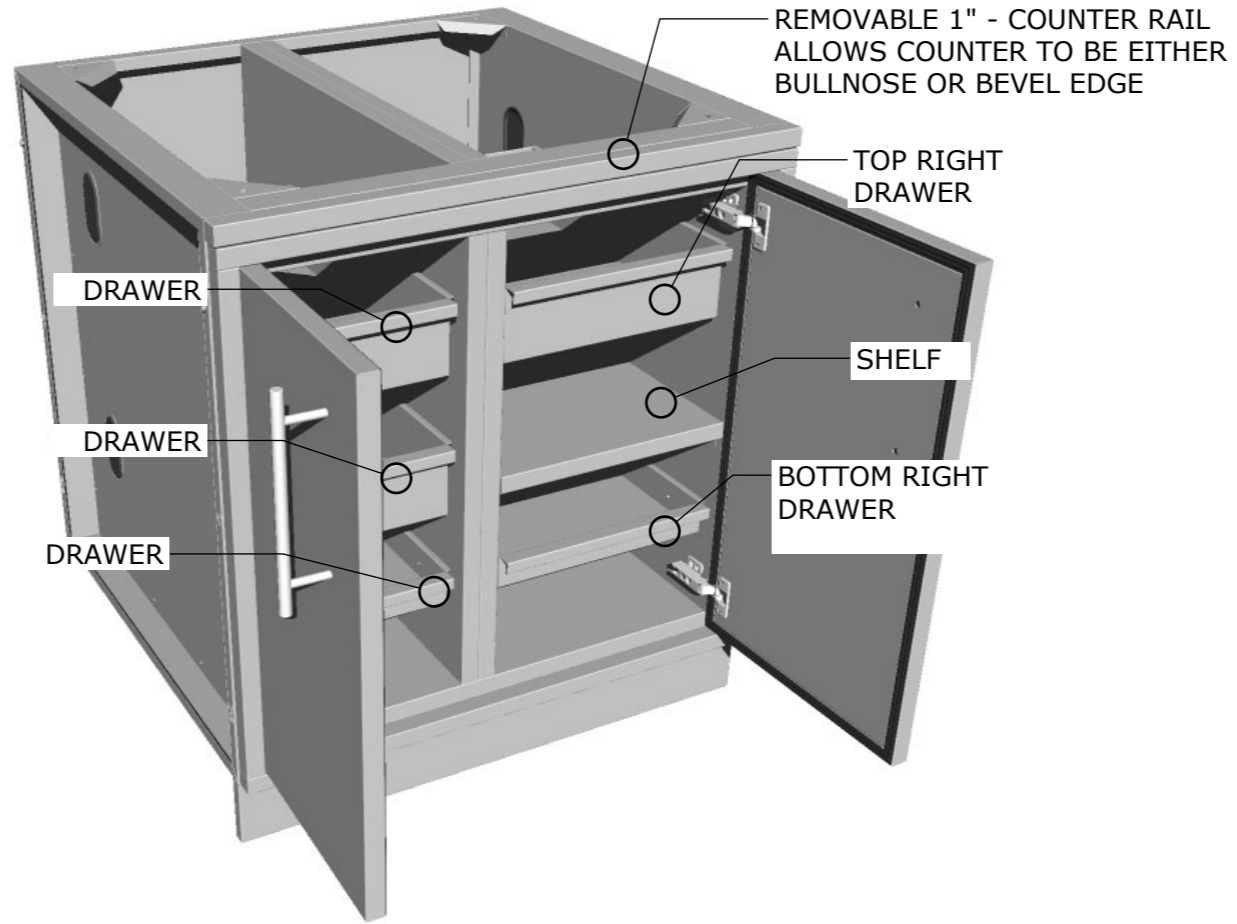


Product Dimensions



Product Components



SUNSTONE METAL PRODUCTS
 16004 CENTRAL COMMERCE DR.
 PFLUGERVILLE, TEXAS 78660
 Tel: 888.934.9449
 Bus: 512.487.5116
 Fax: 512.487.7016

PRODUCT

30" Dry Storage Sealed Pantry Cabinet

Item No. SBC30DSPC

DESCRIPTION

30" Weather Sealed Dry Storage Pantry with Multi-Drawers and Shelves

- Lifetime Structure Warranty
- 304 Stainless Steel Structure
- 304 SS Rod Handles
- Front & Back Kick-Plates
- Easy Pin-Lock Installation
- Soft-Close Drawer Tracks
- Covered Access Ports
- Adjustable Peg-Legs
- Optional Wheel Casters

INCLUDED COMPONENTS

- Front Vented Kick Plate
- Back Kick Plate
- (4) Adjustable Peg Legs
- Weather-Stripping

PRODUCT DIMENSIONS

30"W x 28-1/4"D (w/Doors) x 34-1/2"H (w/Legs) or 30-1/2"H (no Legs) or Upto 36" Max Adjustable Height

INSERT DIMENSIONS

Left - 10-3/8"Width x 18"Depth
 Right - 13-1/2"Width x 18"Depth

INSERTABLE PRODUCTS

Single Side Burner - 1SSB

MATERIAL SPECS

304 Stainless Steel entire structure, 18 Gauge for Door Panel, 18 Gauge for Cabinet Box, 18 Gauge for Shelf, Handles are made of Solid 304 Stainless Steel Bar.

Product Diagrams

