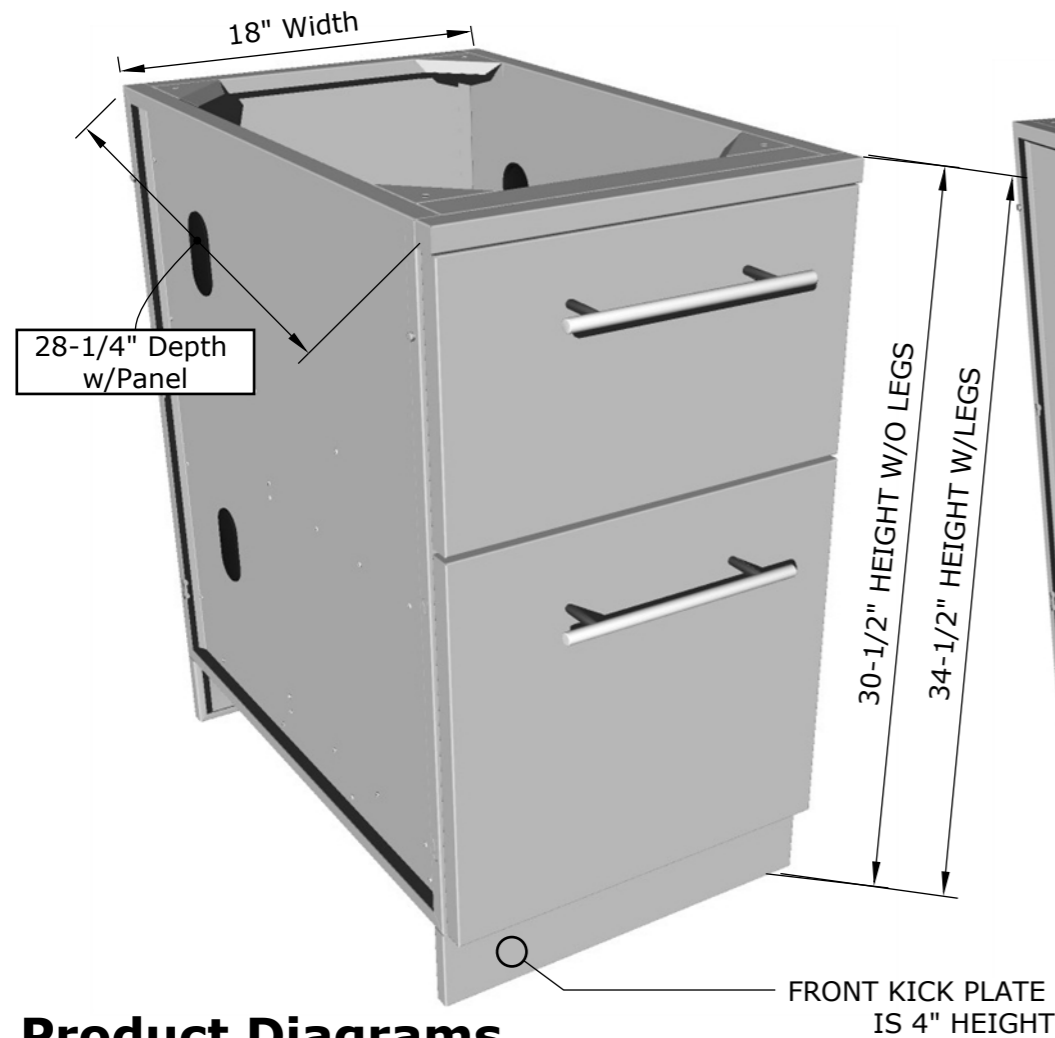
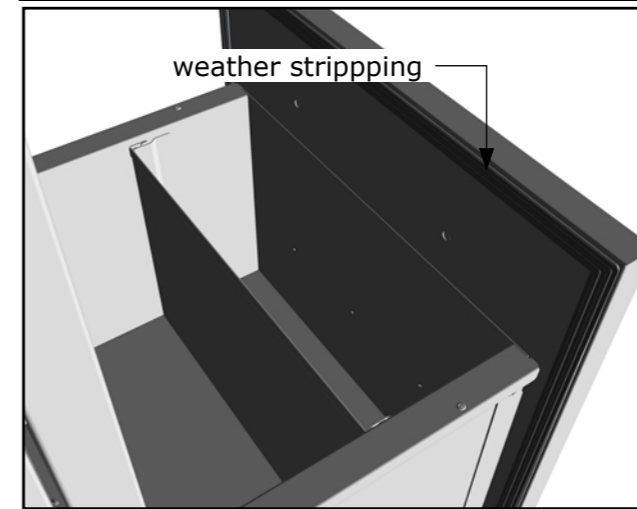
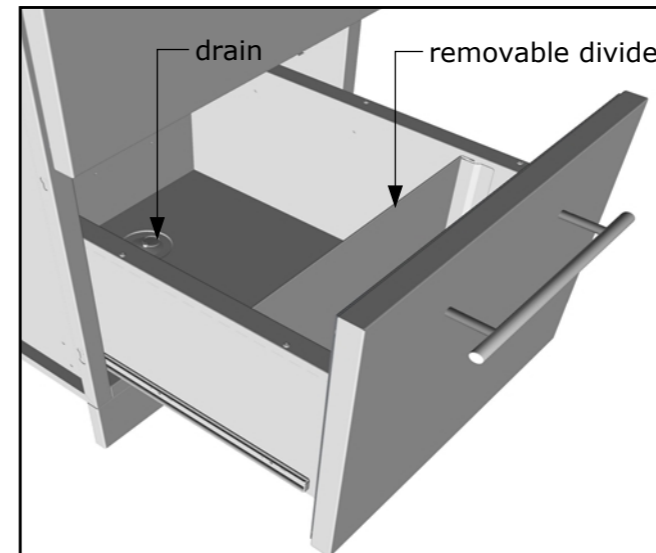


## Product Dimensions



## Product Configurations



**SUNSTONE®**

**SUNSTONE METAL PRODUCTS**  
 16004 CENTRAL COMMERCE DR.  
 PFLUGERVILLE, TEXAS 78660  
 Tel: 888.934.9449

### PRODUCT

18" Paper Towel/Cutlery Drawer w/Insulated Ice Chest Dry Storage Drawer  
**Item No. SBC18DPIC**

- Lifetime Structure Warranty
- 304 Stainless Steel Structure
- Front & Back Kick-Plates
- Easy Pin-Lock Installation
- Covered Access Ports
- Adjustable Peg-Legs
- Optional Wheel Casters
- Rain Gutter on Both Drawers
- Paper Towel & Cutlery Drawer
- Weather Stripping
- Dry Storage Pantry Drawer
- Cutting Board
- Flexible Drain

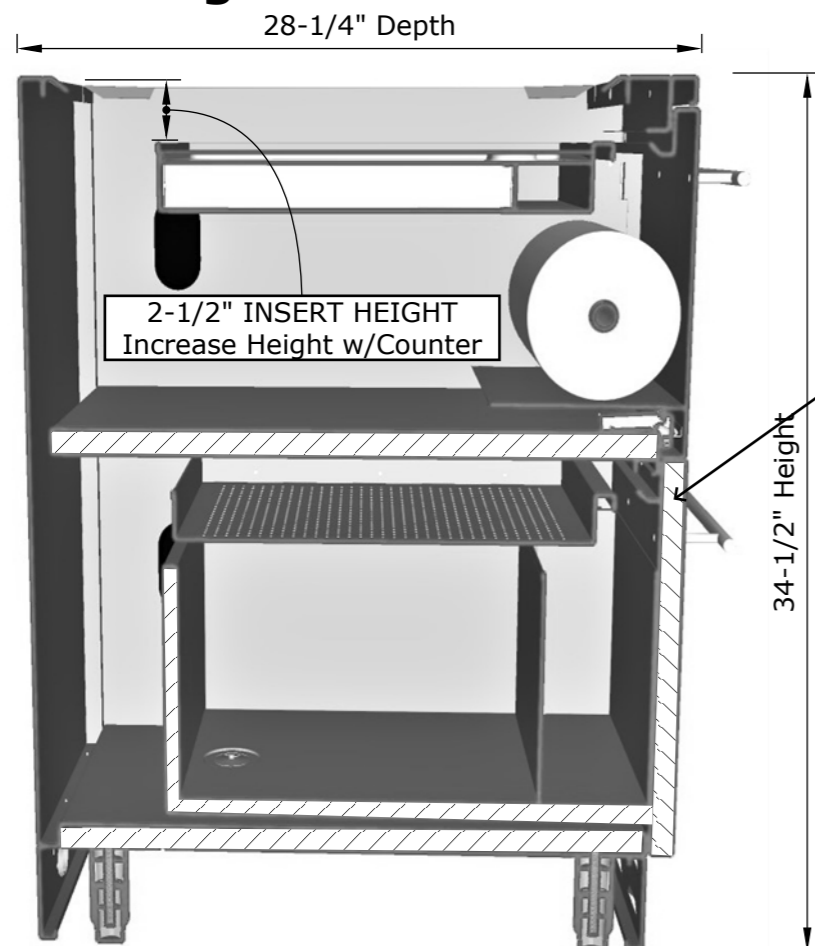
### PRODUCT DIMENSIONS

18"W x 28-1/4"D (w/Doors) x 34-1/2"H (w/Legs) or 30-1/2"H (no Legs) or Upto 36" Max Adjustable Height

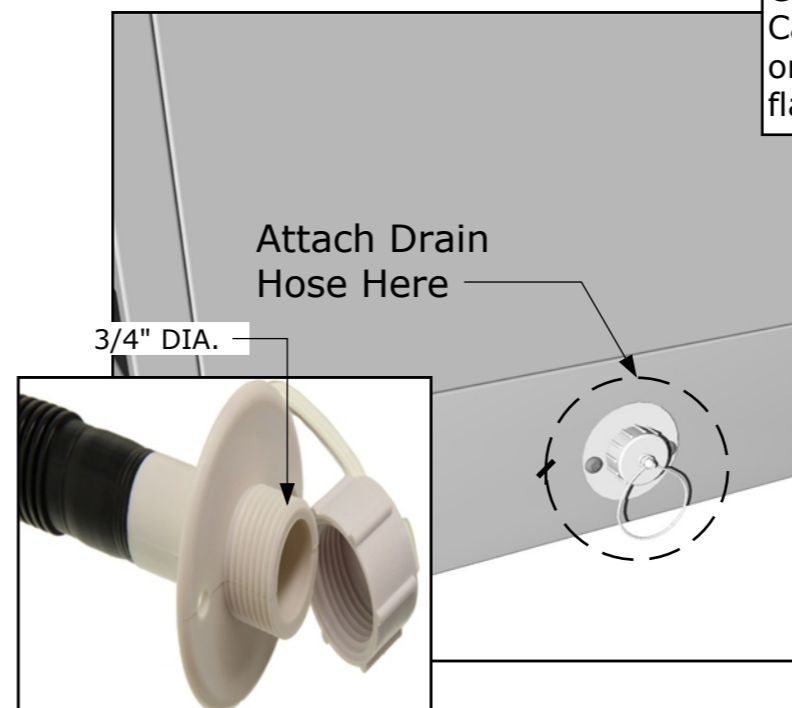
### MATERIAL SPECS

304 Stainless Steel for the Entire Structure, 20 Gauge for Door Panel, 20 Gauge for Cabinet Panel, 304 SS Peg Legs, 304 SS Rod Handles

## Product Diagrams



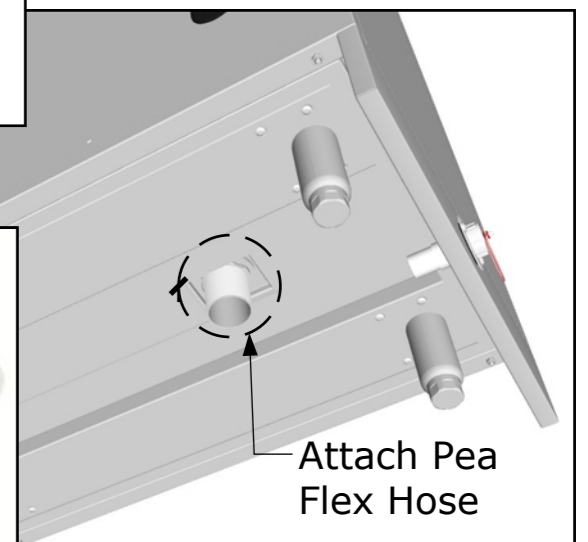
Double Walled Insulated Drawer & Lower Box



Cabinet has Bottom Drain, with Flex Hose you can attach a standard Garden Hose to outside back of Cabinet Polypropylene drain trap on one end and ABS plastic evacuation flange on the other end.



Includes 25" of 3/4" diameter hose.



ADA COMPLIANT LEGS/KICKPLATES NOT AVAILABLE ON THIS CABINET BECAUSE OF DRAIN