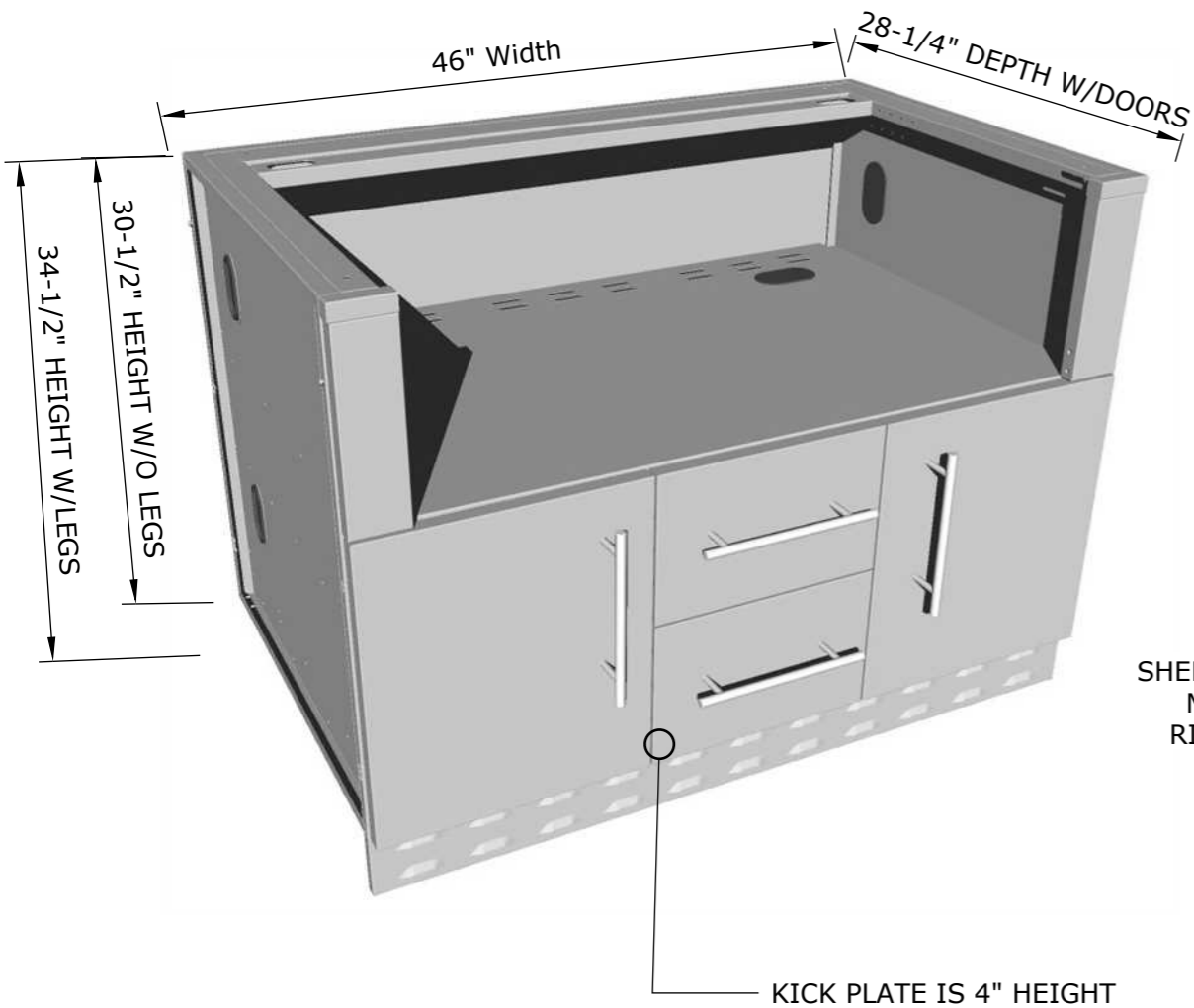
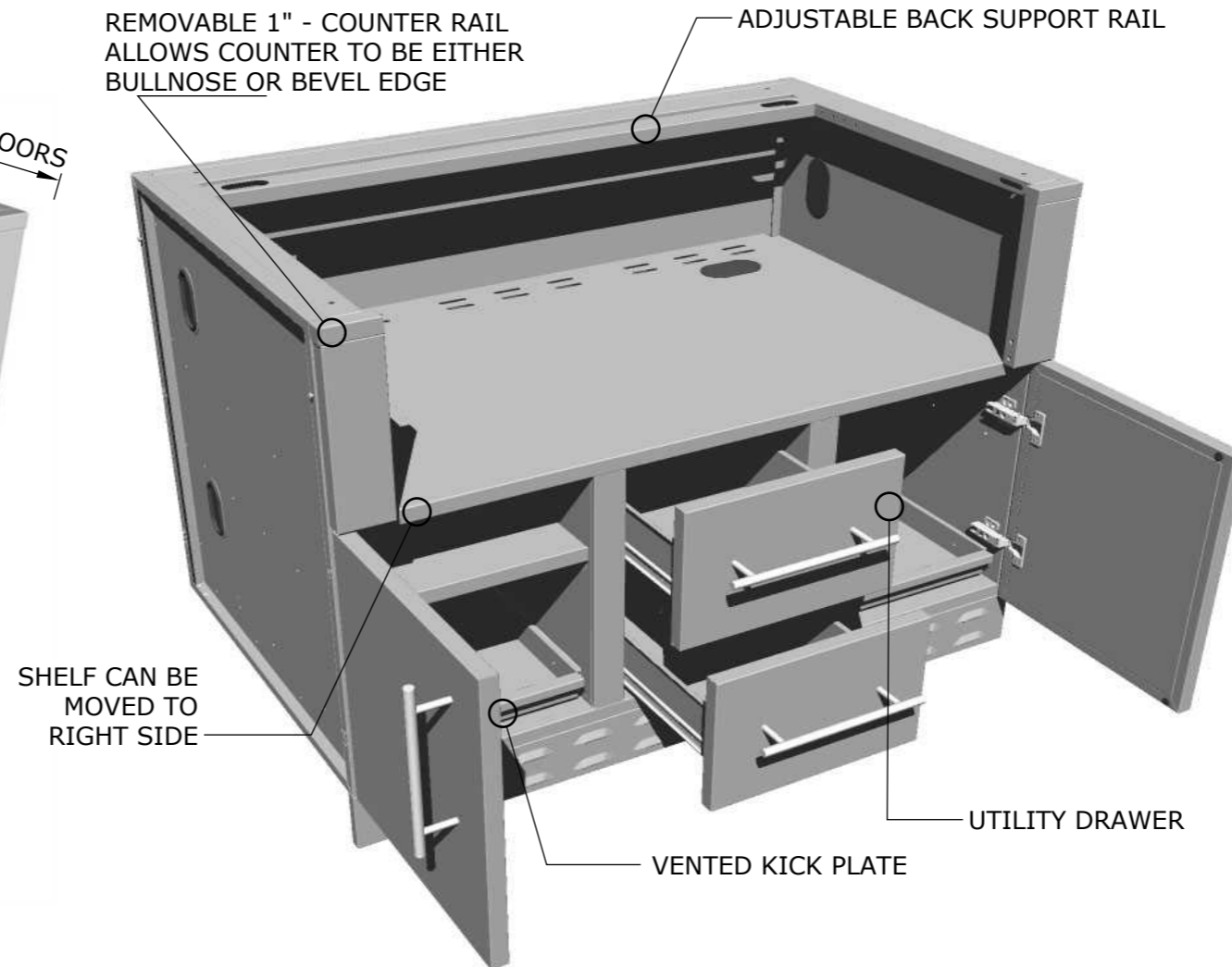


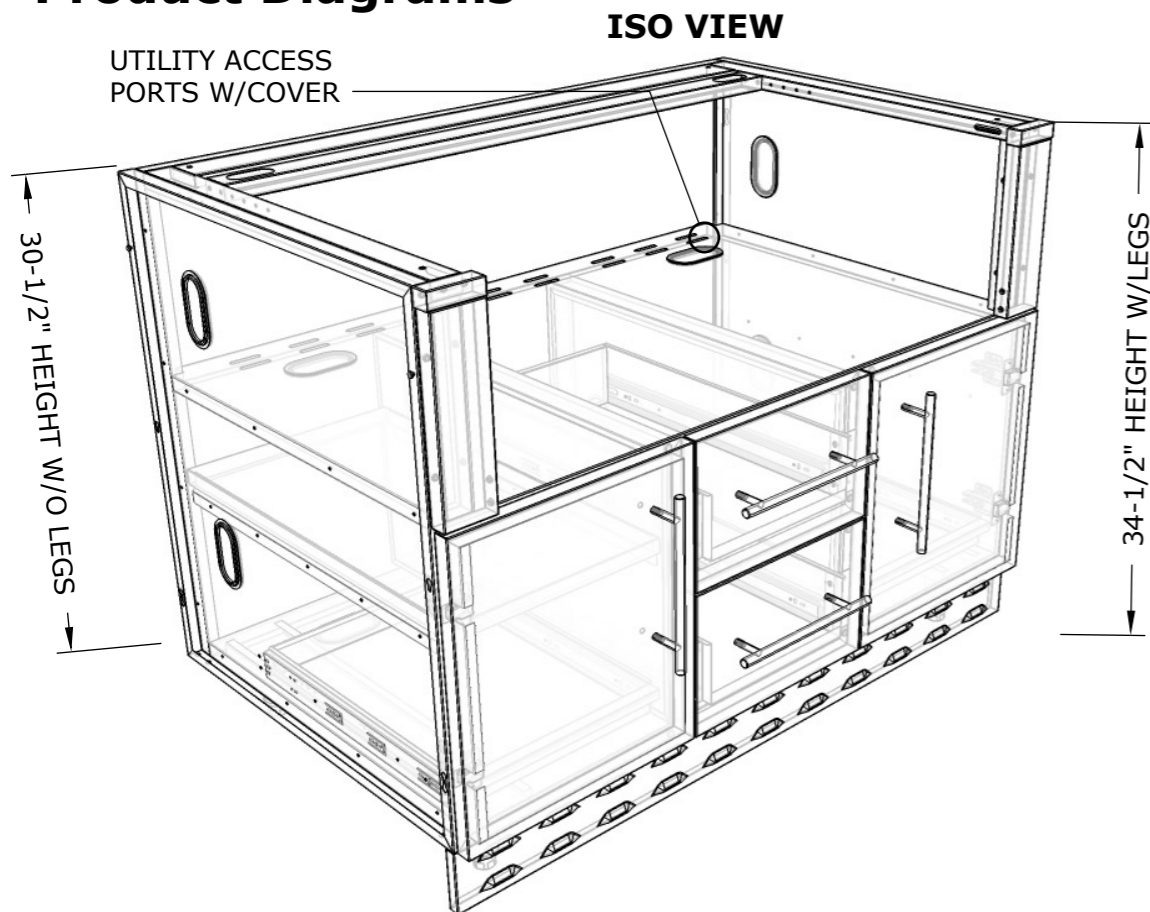
## Product Dimensions



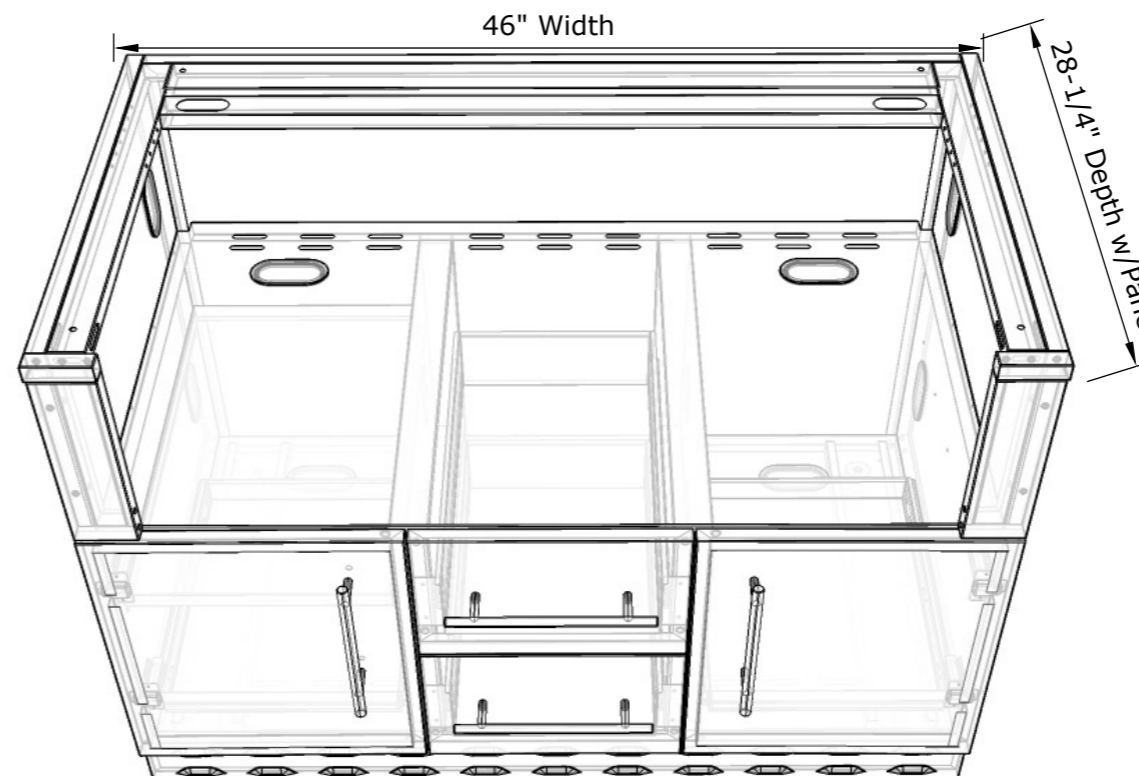
## Product Components



## Product Diagrams



## TOP VIEW



**SUNSTONE METAL PRODUCTS**  
16004 CENTRAL COMMERCE DR.  
PFLUGERVILLE, TEXAS 78660  
Tel: 888.934.9449  
Bus: 512.487.5116  
Fax: 512.487.7016

### PRODUCT

**46" Appliance Cabinet for  
Item No. SUNCHDZ42**

**Item No. SAC46CGDC**

### DESCRIPTION

46" Appliance Cabinet for Item No.  
SUNCHDZ42

- Lifetime Structure Warranty
- 304 Stainless Steel Structure
- 304 SS Rod Handles
- Front & Back Kick-Plates
- Easy Pin-Lock Installation
- Soft-Close Drawer Tracks
- Covered Access Ports
- Adjustable Peg-Legs
- Optional Wheel Casters

### INCLUDED COMPONENTS

- Front Vented Kick Plate
- Back Solid Kick Plate
- (4) Adjustable Peg Legs
- Trim-Kit - SCC46CTK3.25

### PRODUCT DIMENSIONS

46"W x 28-1/4"D (w/Doors) x 34-1/2"H (w/Legs) or 30-1/2"H (no Legs) or Upto 36" Max Adjustable Height

### INSERTABLE PRODUCTS

42" Emerald Hybrid  
Item No. EMCHDZ42

(See next page Trim Kit Guide for  
other insertable product Brands)

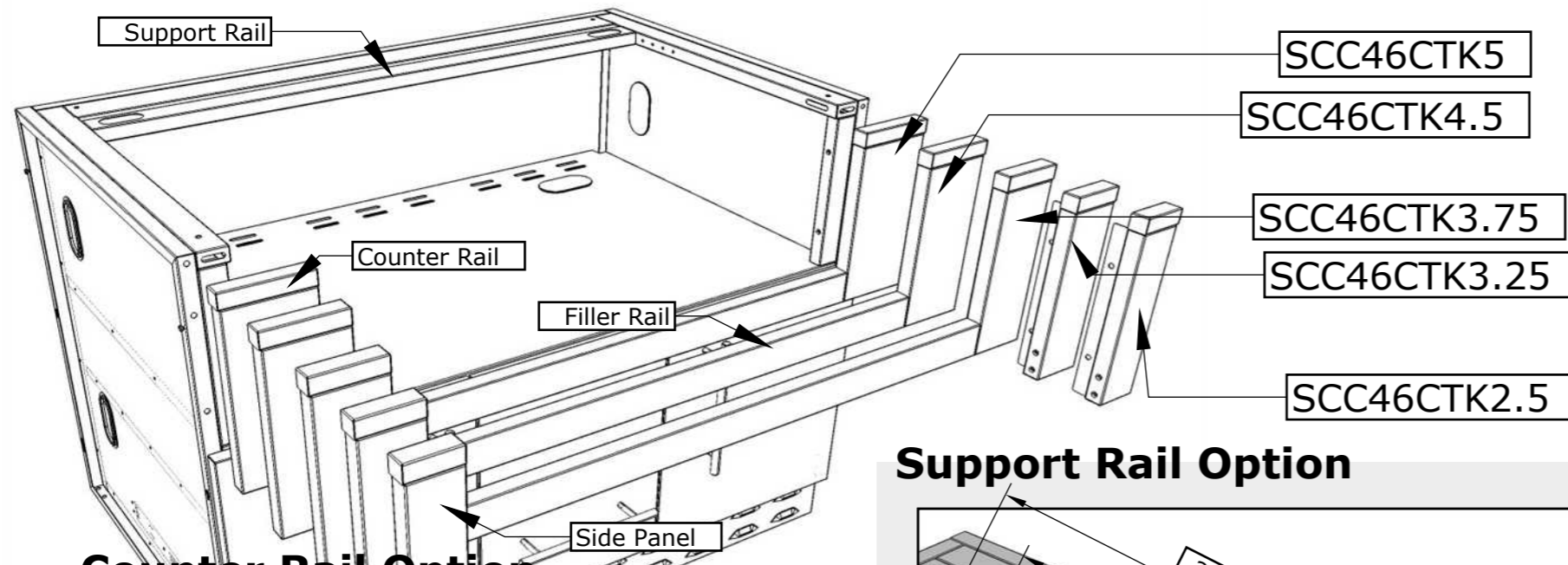
### MATERIAL SPECS

304 Stainless Steel entire structure, 18 Gauge for Door Panel, 18 Gauge for Cabinet Box, 18 Gauge for Shelf, Handles are made of Solid 304 Stainless Steel Bar.

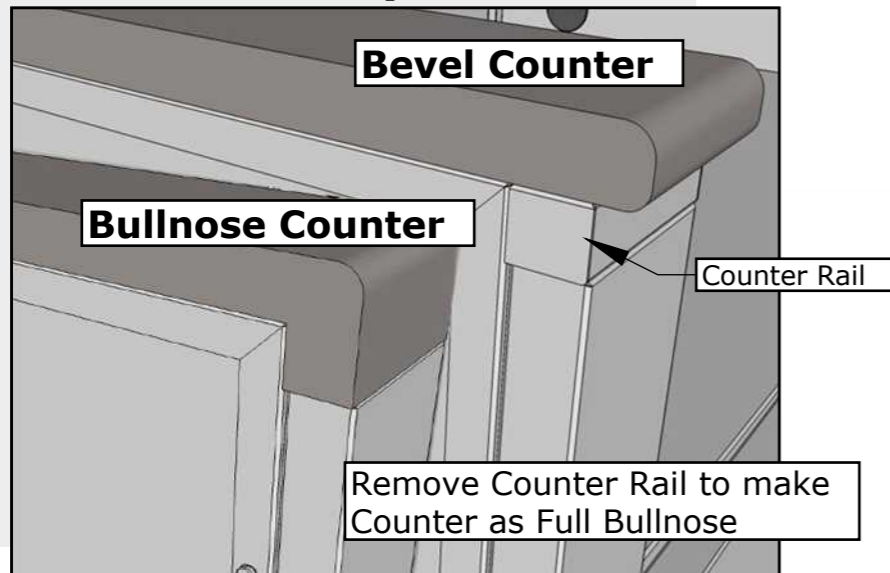
# SAC46CGDC TRIM-KIT

Disclaimer: The trademarks used in the "Product Option" column below belong to their respective owners who do not sponsor nor are they affiliated with Sunstone Metal Products, L.L.C. The specific product Cut-Out Dimensions have not been directly confirmed by any Sunstone Metal Products LLC, representative or employee. Use own discretion to confirm exact product fit.

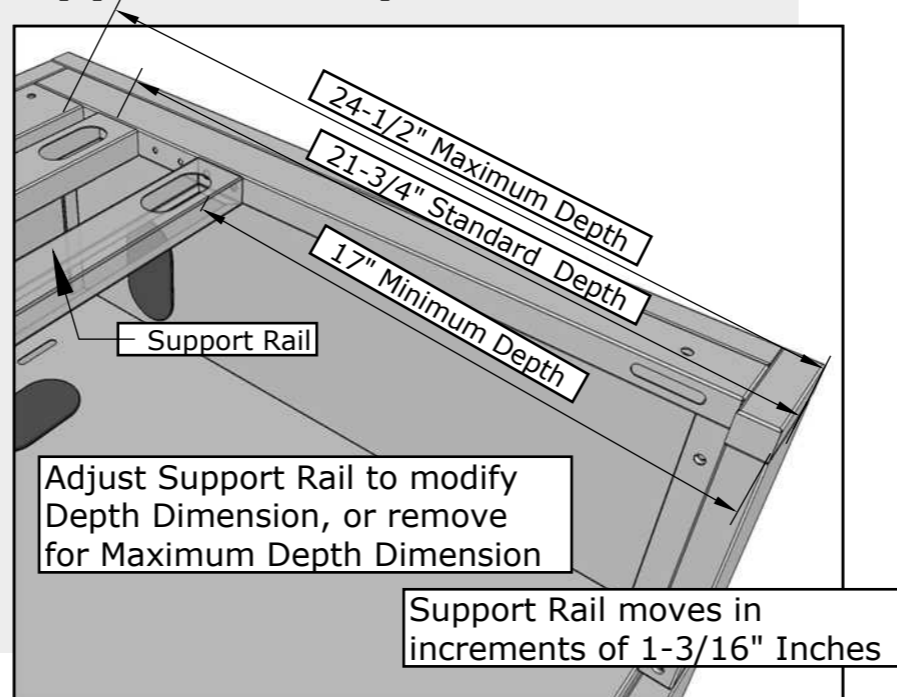
Model Number	Sleeve Cut-Out	Product Option
<b>SCC46CTK2.5</b>	40-1/2" Width x 12-3/4" Height x 24-1/2" Maximum Depth	Twin Eagles® 42" Grill
<b>SCC46CTK3.25</b>	39-1/2" Width x 13-3/4" Height x 24-1/2" Maximum Depth	<b>Sunstone® Emerald Series 42" Gas Hybrid Charcoal Grill</b>
<b>SCC46CTK3.75</b>	38-1/4" Width x 10-3/8" Height w/Rail or 12-3/4" Height wo/Rail x 24-1/2" Maximum Depth	
<b>SCC46CTK4.5</b>	36-7/8" Width x 10-3/8" Height w/Rail or 12-3/4" Height wo/Rail x 24-1/2" Maximum Depth	
<b>SCC46CTK5</b>	35-3/4" Width x 10-3/8" Height w/Rail or 12-3/4" Height wo/Rail x 24-1/2" Maximum Depth	Twin Eagles® 36" Grill



## Counter Rail Option



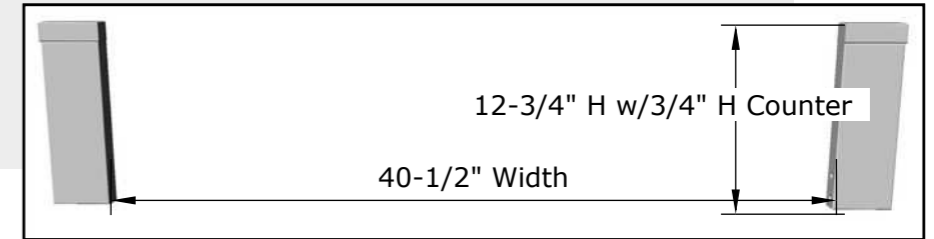
## Support Rail Option



# Trim-Kit Sleeve Dimensions

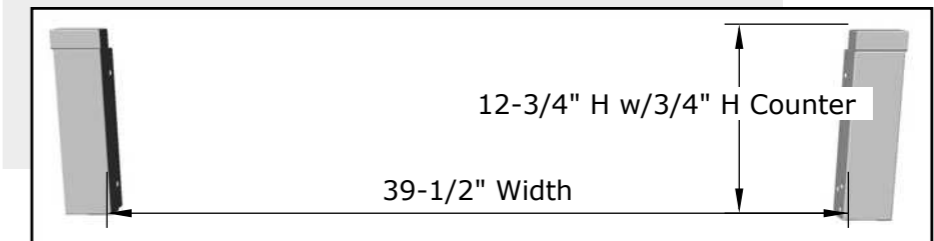
Compatible between 35-3/4" to 40-1/2", 10-3/8" to 12-3/4" Max Height with counter at 3/4" Height with Filler Rail installed or removed. (Additional Height can be adjusted by Removing Bottom Filler Rail or by adding a Thicker Counter or Backer Board)

Item No. SCC46CTK2.5

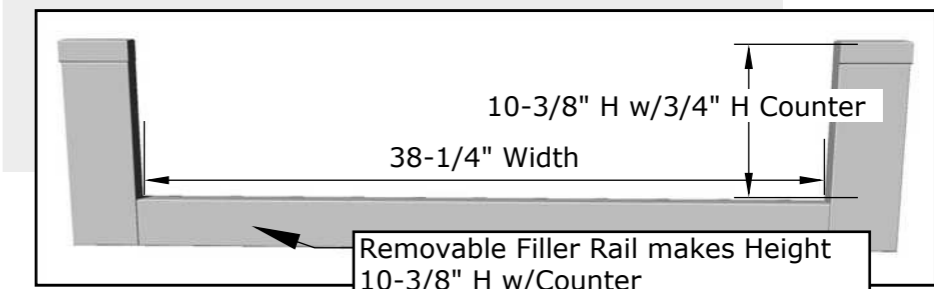


Item No. SCC46CTK3.25

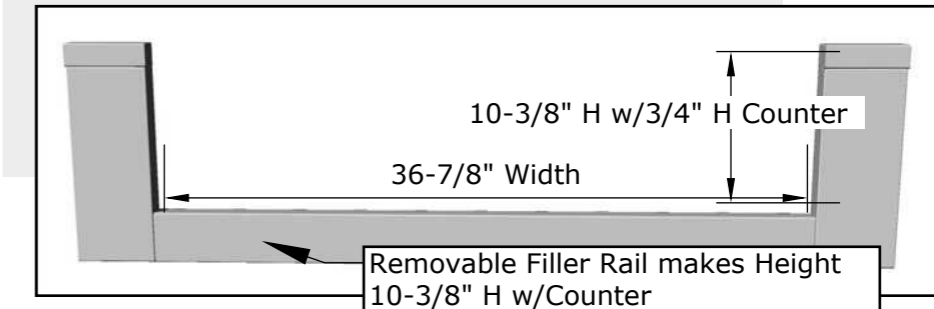
**COMES STANDARD**



Item No. SCC46CTK3.75



Item No. SCC46CTK4.5



Item No. SCC46CTK5

