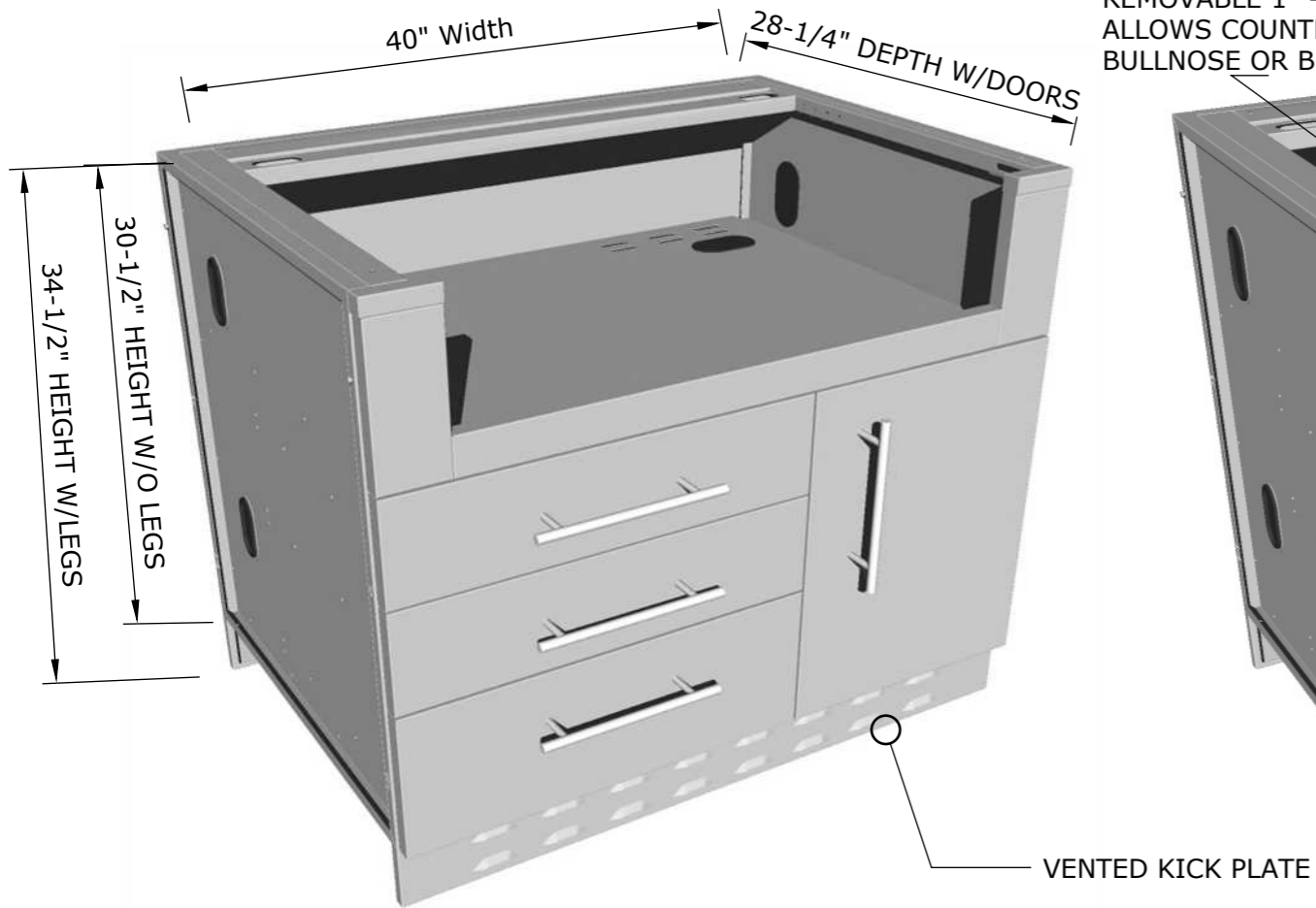
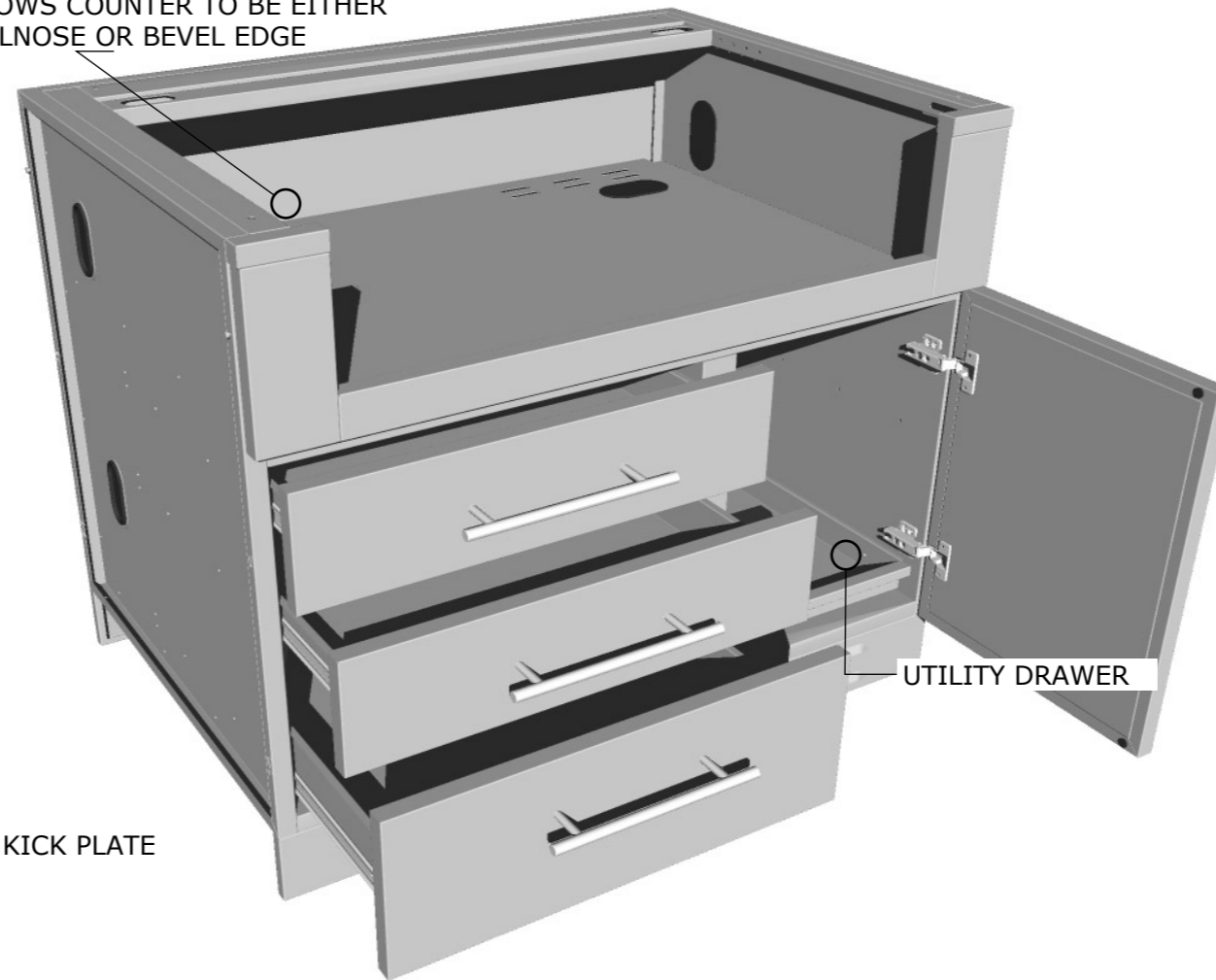


## Product Dimensions

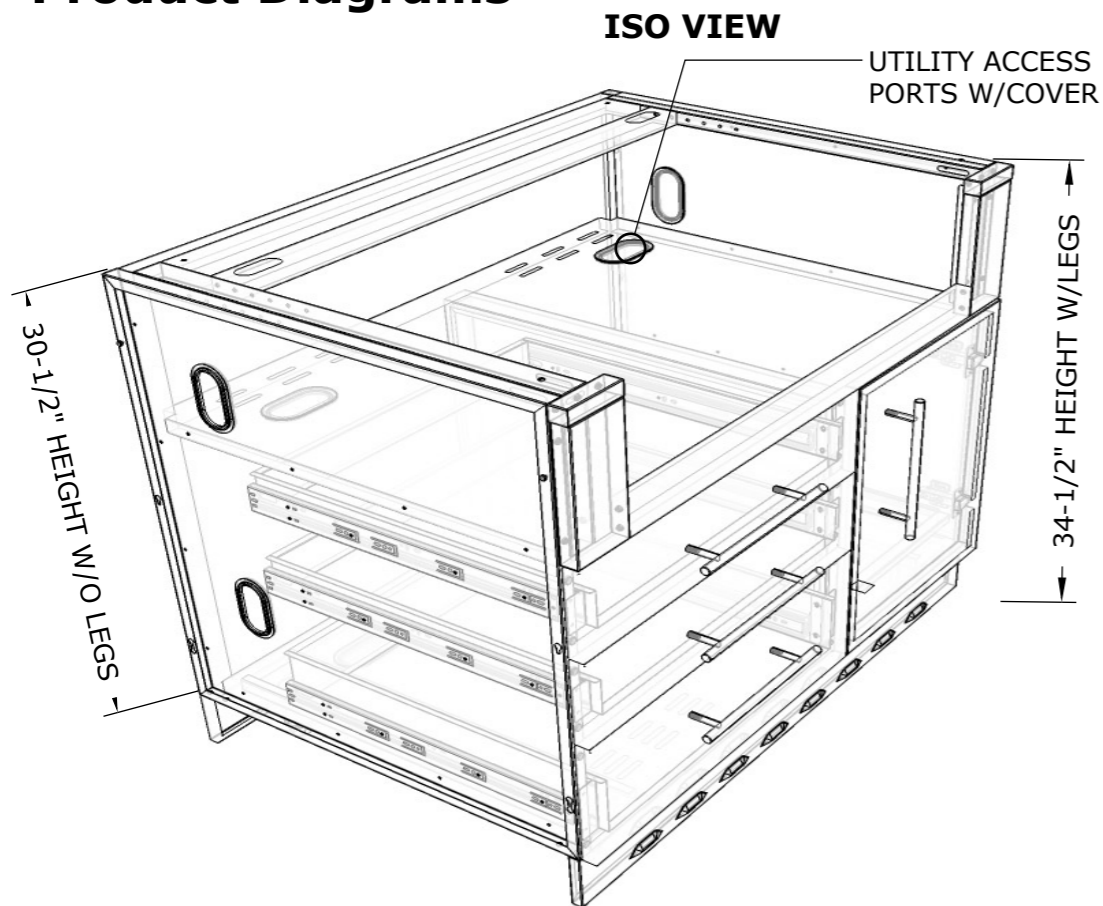


## Product Components

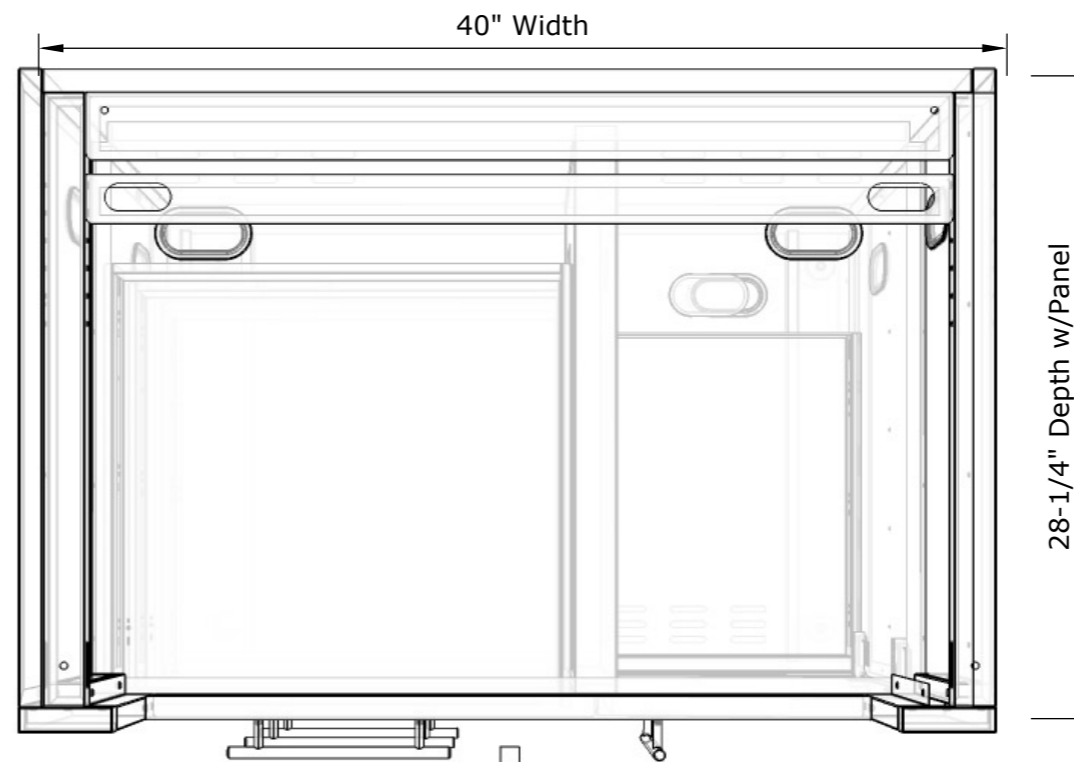
REMOVABLE 1" - COUNTER RAIL  
ALLOWS COUNTER TO BE EITHER  
BULLNOSE OR BEVEL EDGE



## Product Diagrams



## TOP VIEW



**SUNSTONE METAL PRODUCTS**  
16004 CENTRAL COMMERCE DR.  
PFLUGERVILLE, TEXAS 78660  
Tel: 888.934.9449  
Bus: 512.487.5116  
Fax: 512.487.7016

### PRODUCT

**40" Appliance Cabinet**

**Item No. SAC40GLPCD**

### DESCRIPTION

40" Appliance Cabinet for Item No.  
SUN4B/SUN4BIR LP/NG & RUBY4B

- Lifetime Structure Warranty
- 304 Stainless Steel Structure
- 304 SS Rod Handles
- Front & Back Kick-Plates
- Easy Pin-Lock Installation
- Soft-Close Drawer Tracks
- Covered Access Ports
- Adjustable Peg-Legs
- Optional Wheel Casters

### INCLUDED COMPONENTS

- Front Vented Kick Plate
- Back Solid Kick Plate
- (4) Adjustable Peg Legs

### PRODUCT DIMENSIONS

40"W x 28-1/4"D (w/Doors) x 34-1/2"H (w/Legs) or 30-1/2"H (no Legs) or Upto 36" Max Adjustable Height

### INSERTABLE PRODUCTS

34" 4 BURNER W/IR - SUN4BIR  
34" 4 BURNER - SUN4B  
36" RUBY GRILL - RUBY4B

(See next page Trim Kit Guide for other insertable product Brands)

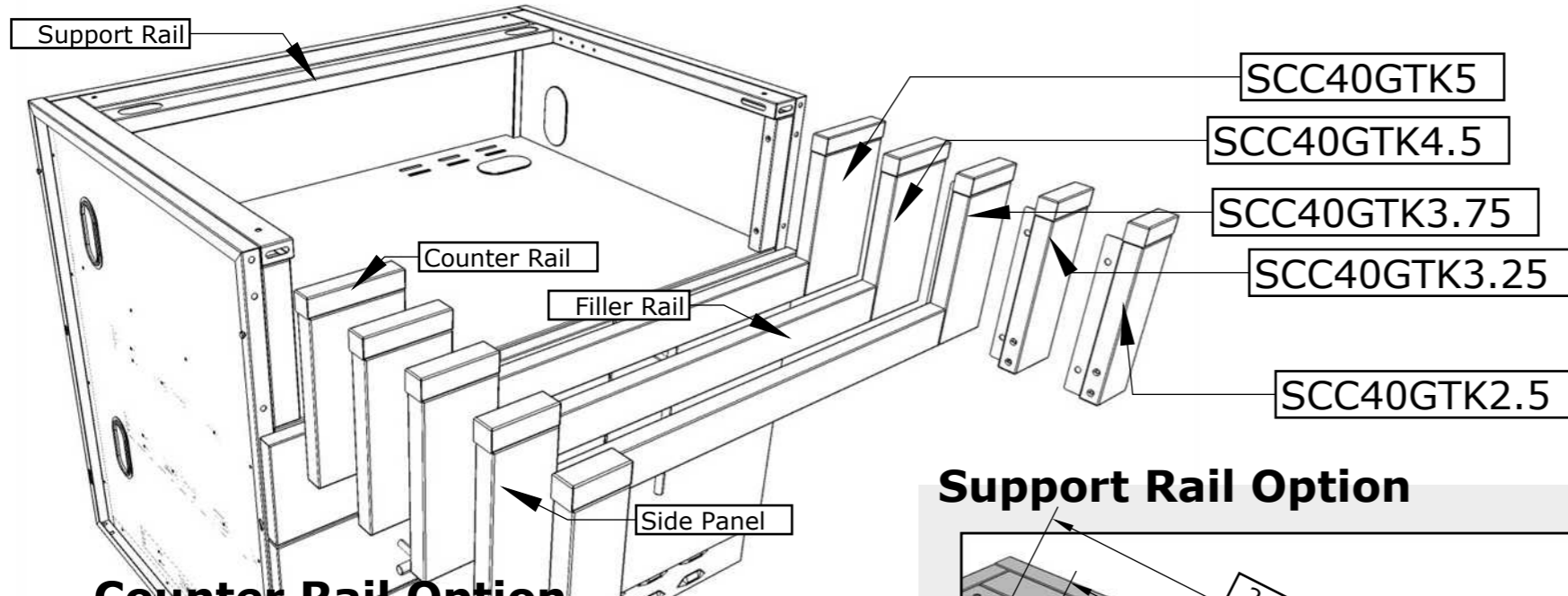
### MATERIAL SPECS

304 Stainless Steel entire structure, 18 Gauge for Door Panel, 18 Gauge for Cabinet Box, 18 Gauge for Shelf, Handles are made of Solid 304 Stainless Steel Bar.

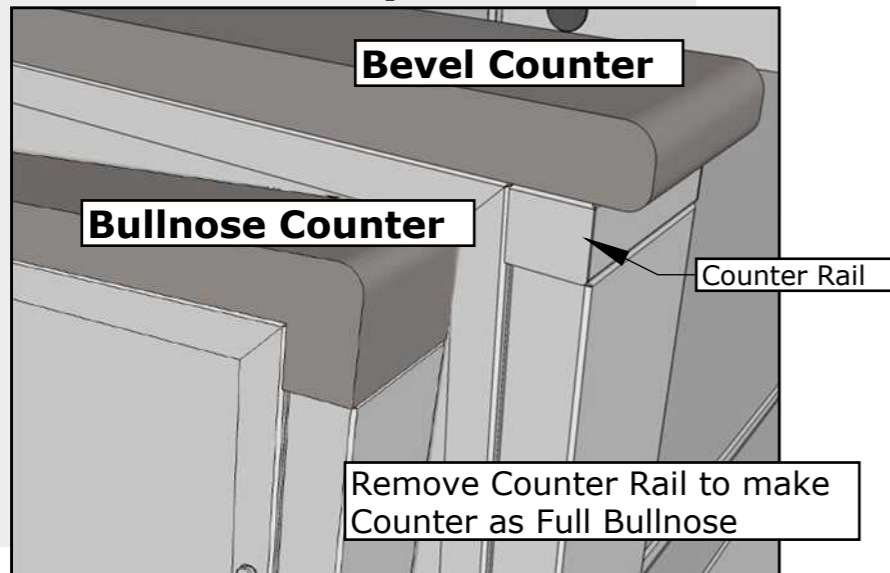
# SAC40GLPCD TRIM-KIT

Disclaimer: The trademarks used in the "Product Option" column below belong to their respective owners who do not sponsor nor are they affiliated with Sunstone Metal Products, L.L.C. The specific product Cut-Out Dimensions have not been directly confirmed by any Sunstone Metal Products LLC, representative or employee. Use own discretion to confirm exact product fit.

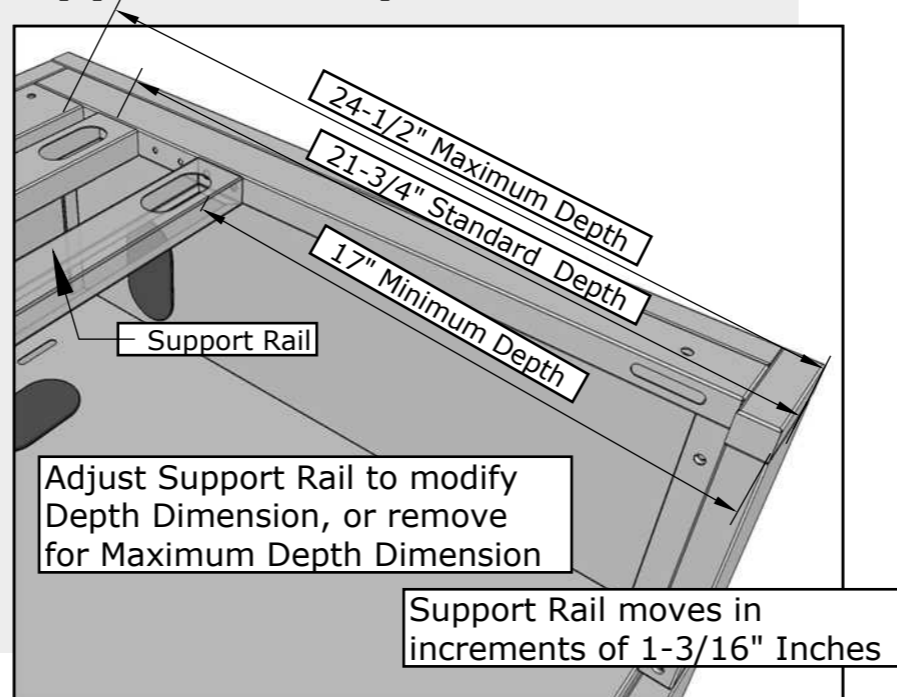
Model Number	Sleeve Cut-Out	Product Option
<b>SCC40GTK2.5</b>	34-1/2" Width x 10-1/4" Height x 24-1/2" Maximum Depth	DCS® 36" Grill, Alfresco® 36" Grill
<b>SCC40GTK3.25</b>	33-1/2" Width x 10-1/4" Height x 24-1/2" Maximum Depth	
<b>SCC40GTK3.75</b>	32-1/4" Width x 8" Height w/Rail or 10-1/4" Height wo/Rail x 24-1/2" Maximum Depth	Sunstone® 4B 36" Ruby® Grill, Blaze® Pro 34" Grill
<b>SCC40GTK4.5</b>	30-7/8" Width x 8" Height w/Rail or 10-1/4" Height wo/Rail x 24-1/2" Maximum Depth	Sunstone® 4B 34" Grill, Steele® 32", AOG® 30", Bull® 30", Lion® 32", Blaze® 32", Coyote® 34"
<b>SCC40GTK5</b>	29-3/4" Width x 8" Height w/Rail or 10-1/4" Height wo/Rail x 24-1/2" Maximum Depth	



## Counter Rail Option



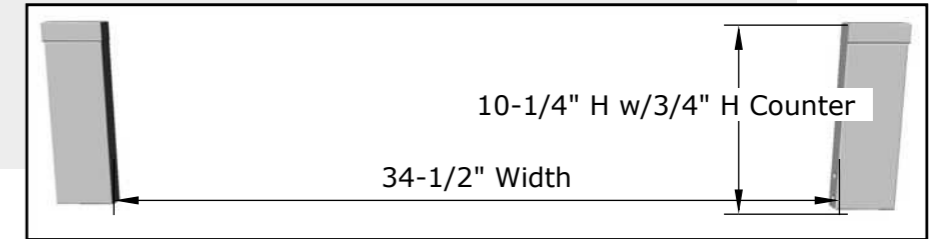
## Support Rail Option



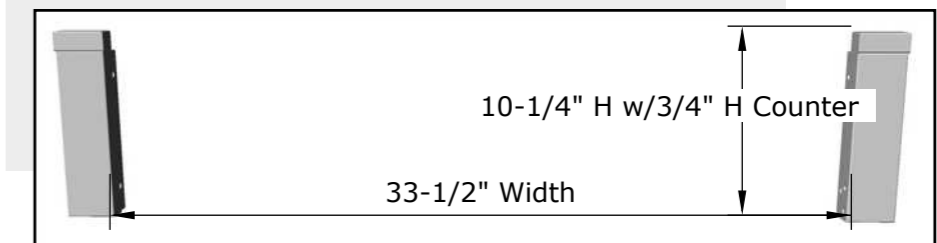
# Trim-Kit Sleeve Dimensions

Compatible between 29-3/4" to 34-1/2", 8" to 10 1/4" Max Height with counter at 3/4" Height with Filler Rail installed or removed. (Additional Height can be adjusted by Removing Bottom Filler Rail or by adding a Thicker Counter or Backer Board)

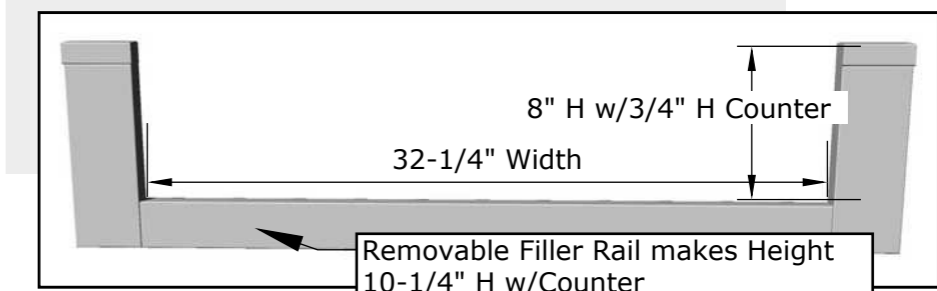
Item No. SCC40GTK2.5



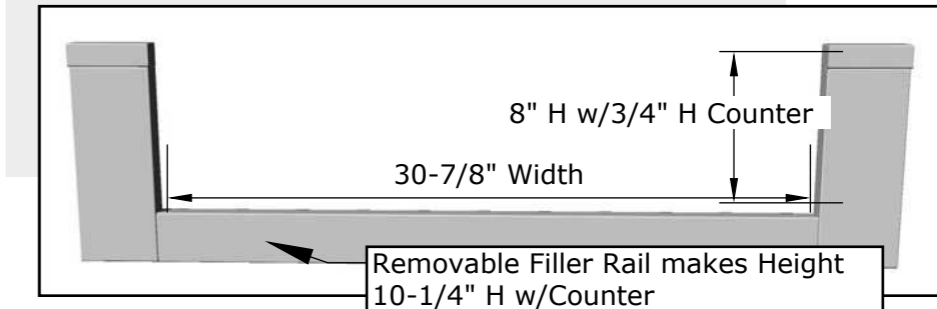
Item No. SCC40GTK3.25



Item No. SCC40GTK3.75



Item No. SCC40GTK4.5



Item No. SCC40GTK5

