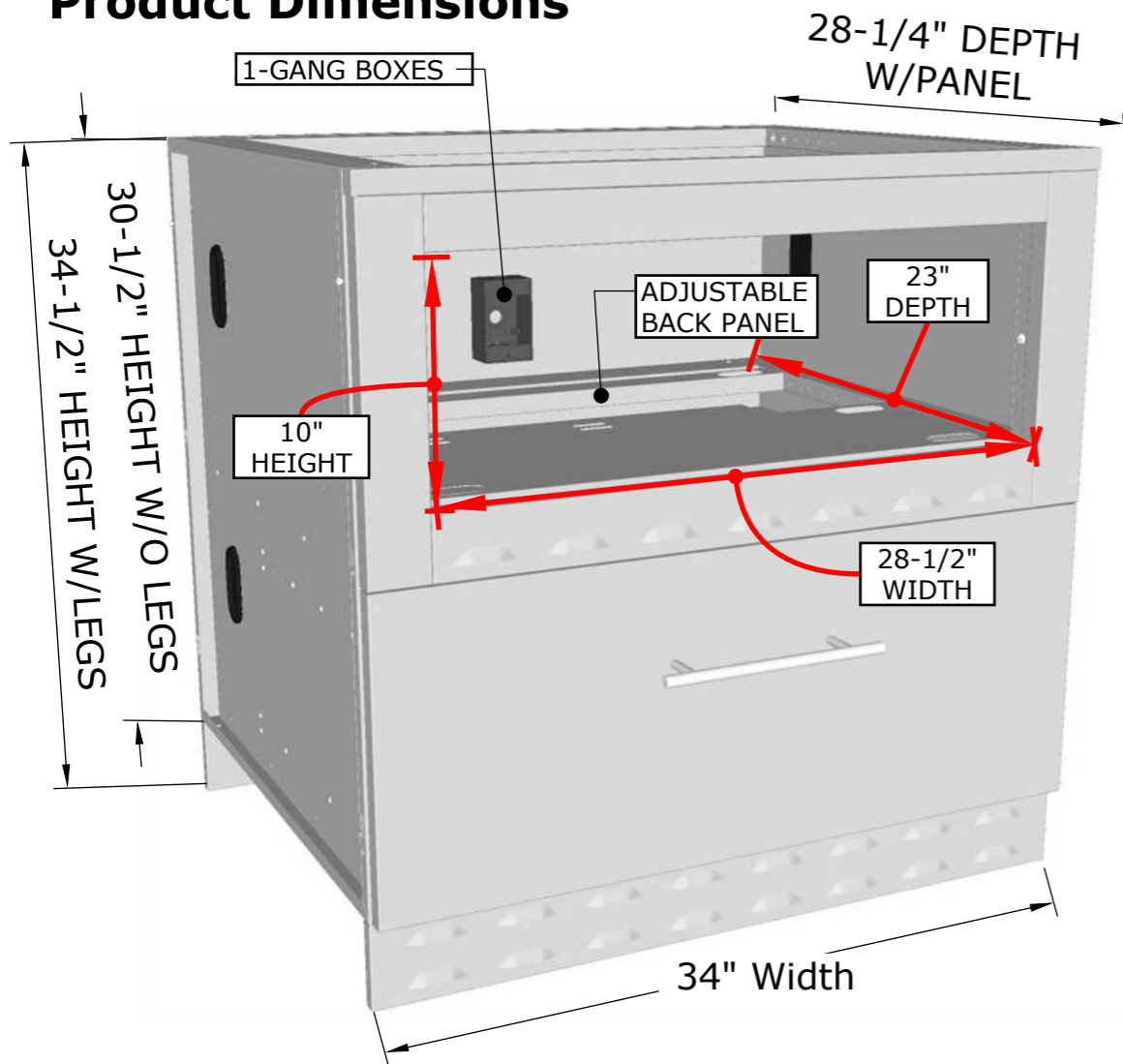
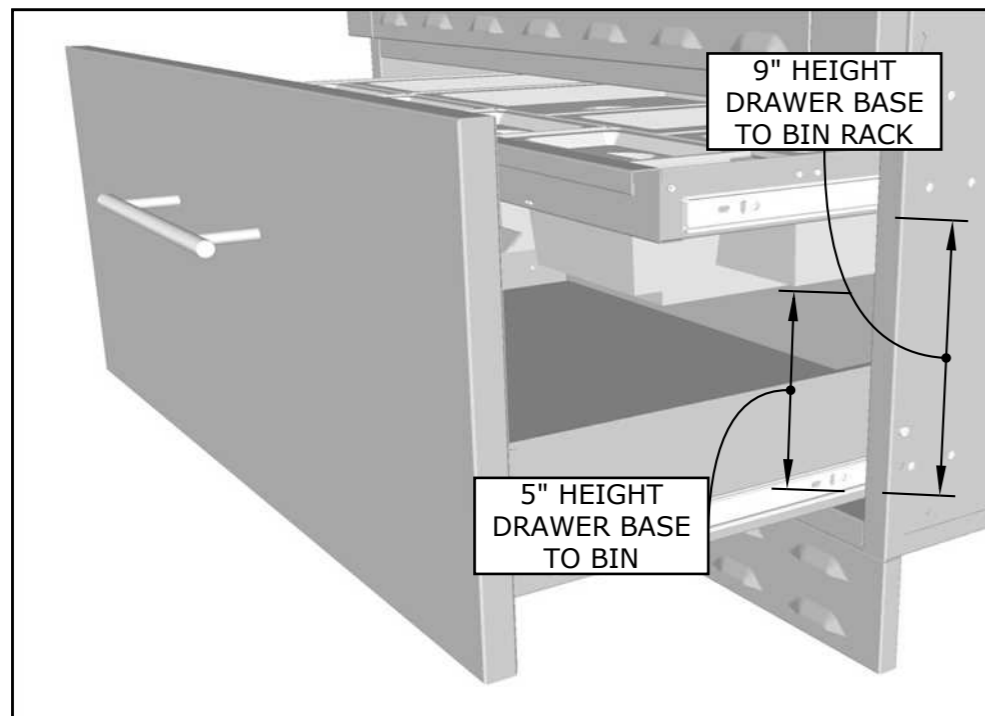
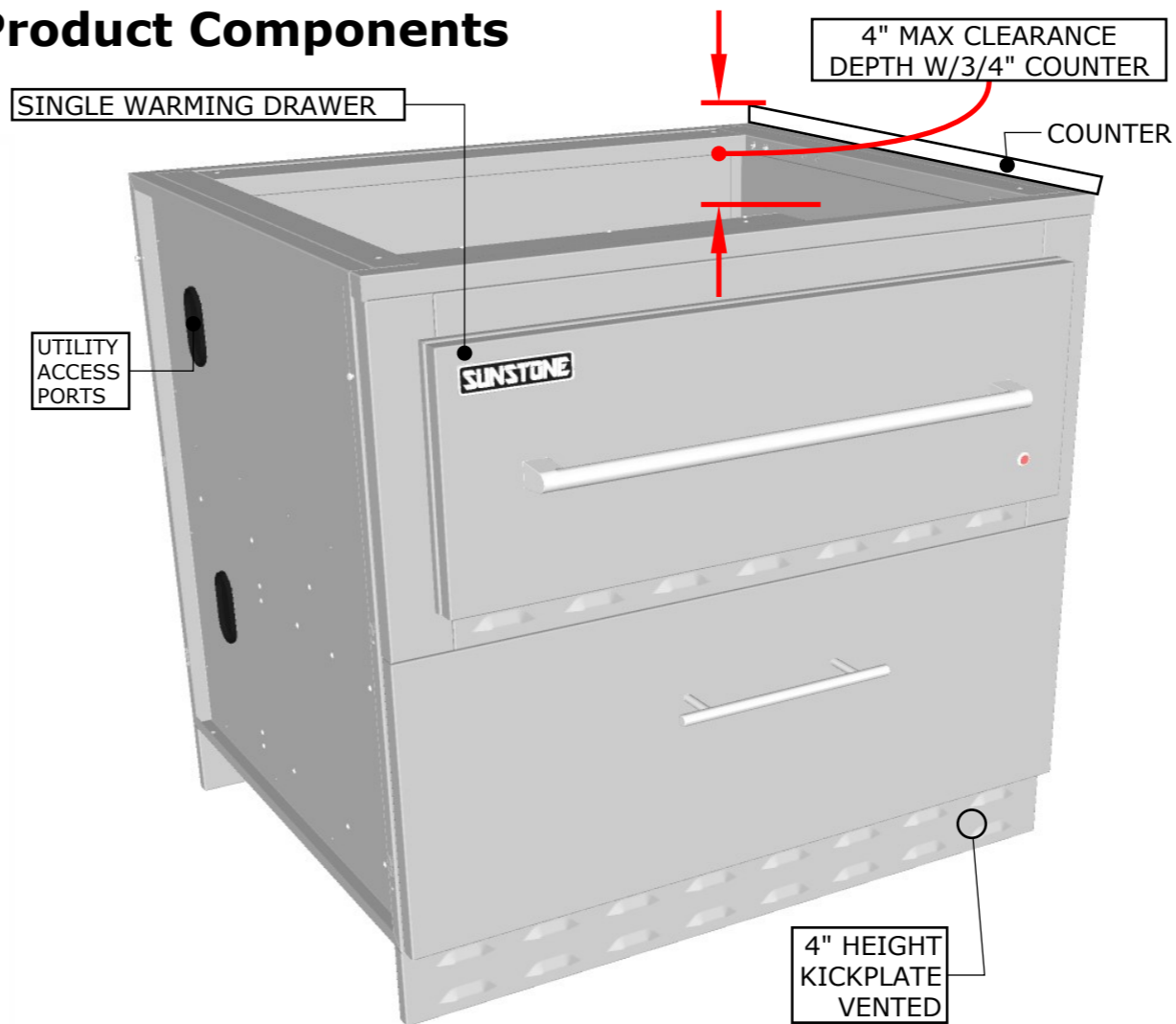


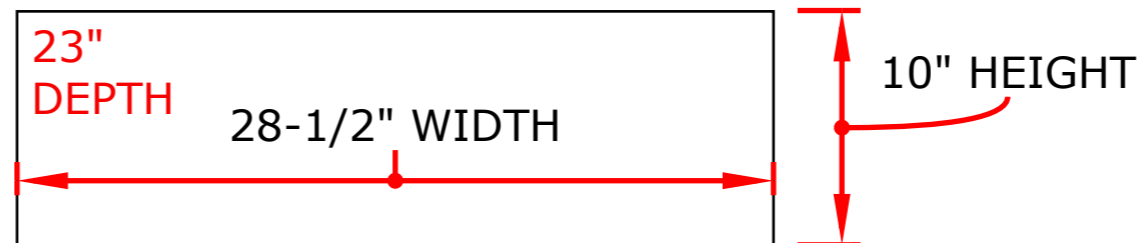
Product Dimensions



Product Components



WARMING DRAWER SLEEVE CUT-OUT



INSERTABLE PRODUCT OPTIONS

SUNSTONE® 30" DRAWER, BULL® 30" DRAWER, COYOTE® 30" DRAWER, ALFRESCO® 30" DRAWER, LYNX® 30" DRAWER, TWIN EAGLES® 30" DRAWER

Disclaimer: The trademarks used in the "Product Option" belong to their respective owners who do not sponsor nor are they affiliated with Sunstone Metal Products, L.L.C. The specific product Cut-Out Dimensions have not been directly confirmed by any Sunstone Metal Products LLC, representative or employee. Use own discretion to confirm exact product fit.

SUNSTONE METAL PRODUCTS
 16004 CENTRAL COMMERCE DR.
 PFLUGERVILLE, TEXAS 78660
 Tel: 888.934.9449
 Bus: 512.487.5116
 Fax: 512.487.7016

PRODUCT

34" Appliance Single Warming
 Drawer Cabinet for Item No.
 SAPWD30PRO
Item No. SAC34SWC

DESCRIPTION

- Lifetime Structure Warranty
- 304 Stainless Steel Structure
- 304 SS Rod Handles
- Front & Back Kick-Plates
- Easy Pin-Lock Installation
- Soft-Close Drawer Tracks
- Covered Access Ports
- Adjustable Peg-Legs
- Optional Wheel Casters

INCLUDED COMPONENTS

- Front Vented Kick Plate
- Back Solid Kick Plate
- (4) Adjustable Peg Legs

PRODUCT DIMENSIONS

34"W x 28-1/4"D (w/Panels) x 34-1/2"H (w/Legs) or 30-1/2"H (no Legs) or Upto 36" Max Adjustable Height

INSERTABLE PRODUCTS

SAPWD30PRO

MATERIAL SPECS

304 Stainless Steel entire structure, 18 Gauge for Panel, 18 Gauge for Cabinet Box

service@sunstonemetalproducts.com

CALL OUR TECH. SUPPORT 888-934-9449