



PRODUCT

17" Drop-in Bar Sink
w/Faucet, Soap Dispenser
& Kitchen Size Drain

Item No. A-SS17

PRODUCT DIMENSIONS

16-1/4" WIDTH BY 17-
1/2" DEPTH BY 6"
HEIGHT

CUT-OUT DIMENSIONS

15" WIDTH BY 16-1/2"
DEPTH BY 5-1/2"
HEIGHT

MATERIAL SPECS

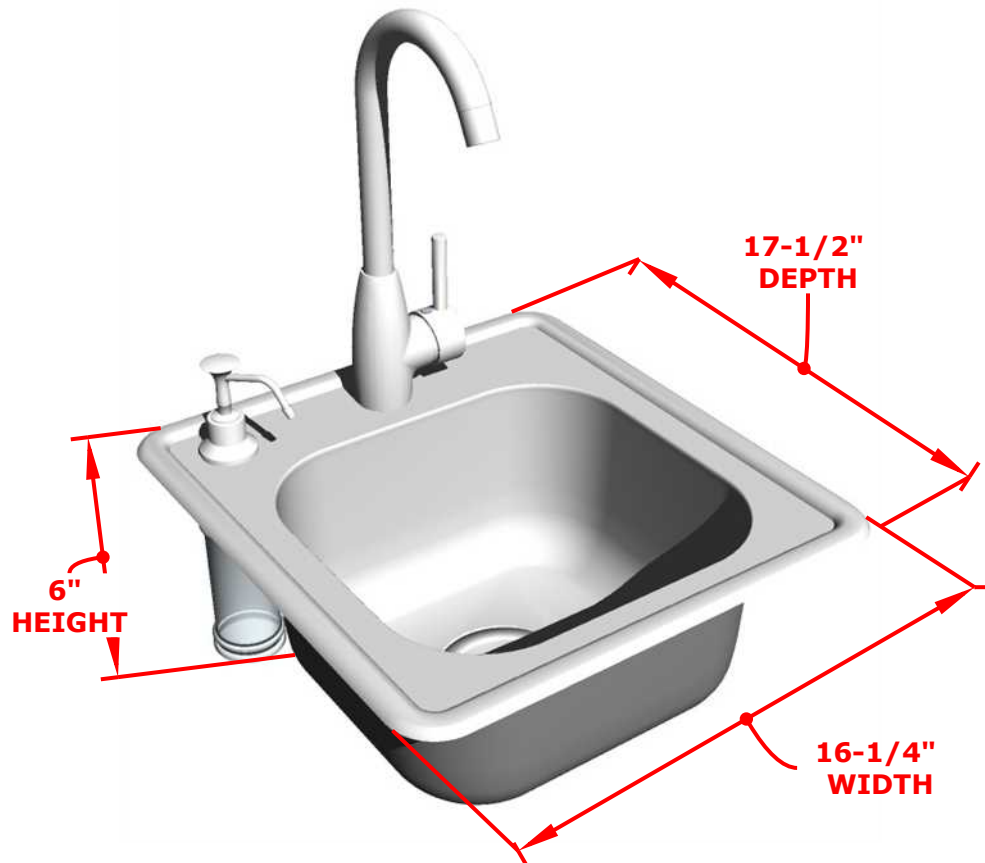
304 stainless steel for the sink.
18 gauge 304 for sink frame,
Tap is made of brass with zinc
plated. Dispenser is zinc-plated.

WARRANTY

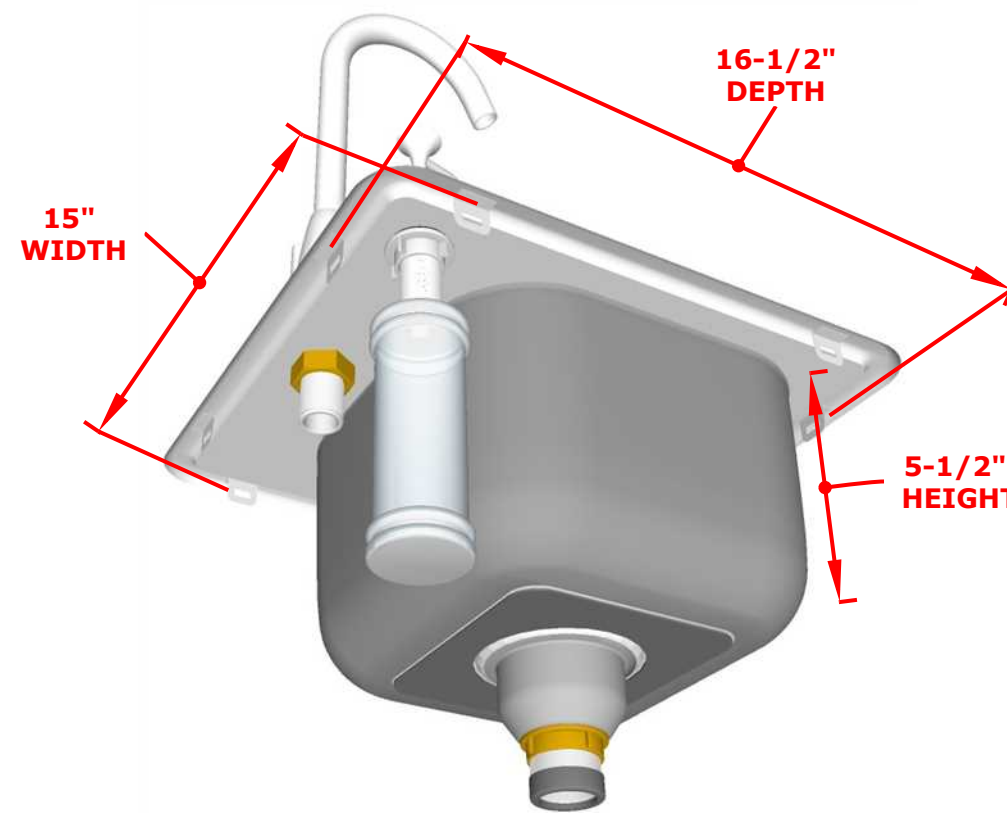
3 Year Warranty Structure & Finish
1 Year Warranty for Handle, Faucet,
Dispenser, & Drain

TECH: 888-934-9449

PRODUCT DIMENSIONS



CUT-OUT DIMENSIONS

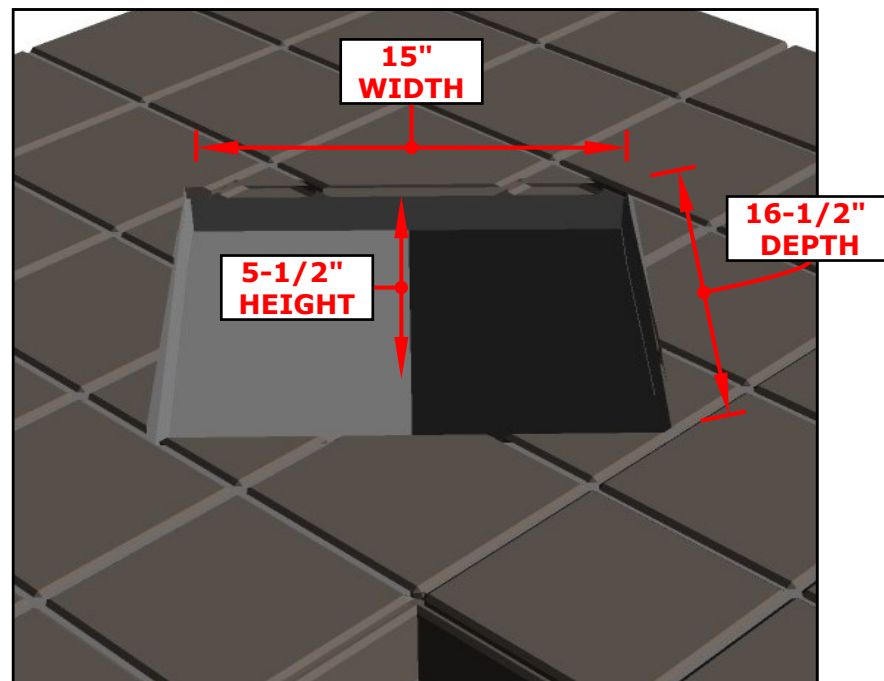


SPECIFICATIONS

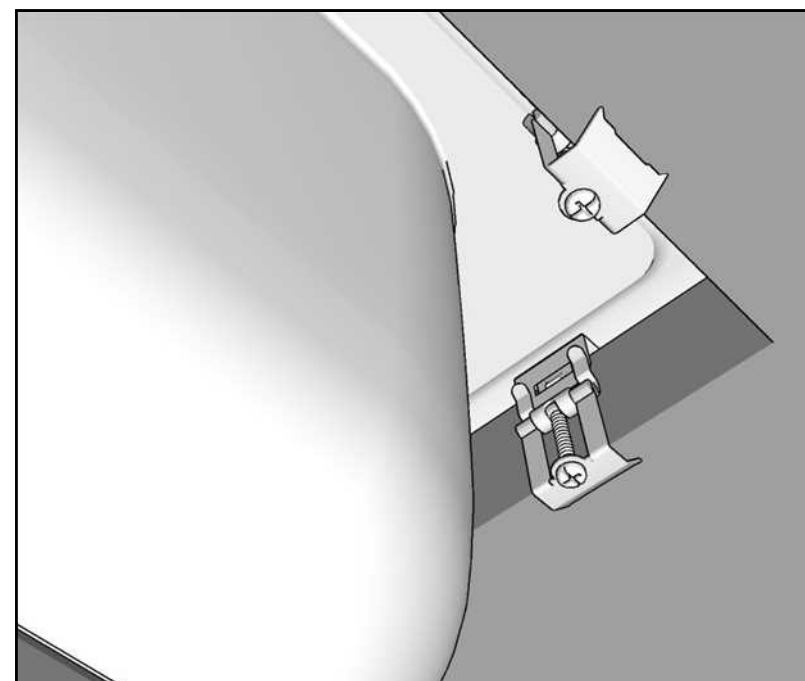
PARTS LIST	ITEM NUMBER	#
HOT/COLD FAUCET	P-FHC	1
KITCHEN SIZE DRAIN	P-SDRAIN	1
SOAP DISPENSER	P-SDISP	1
MOUNTING CLIPS	P-SS17CLIP	8

OTHER SPECS	DIMENSIONS
SINK BOWL SIZE	12" W x 10-1/2" D x 6" H
DRAIN HOLE SIZE	3-3/4" DIA. DRAIN
DRAIN STEM SIZE	1-3/4" DIA. PIPE

CUT-OUT ILLUSTRATION



MOUNTING CLIP



FINAL INSTALLATION

