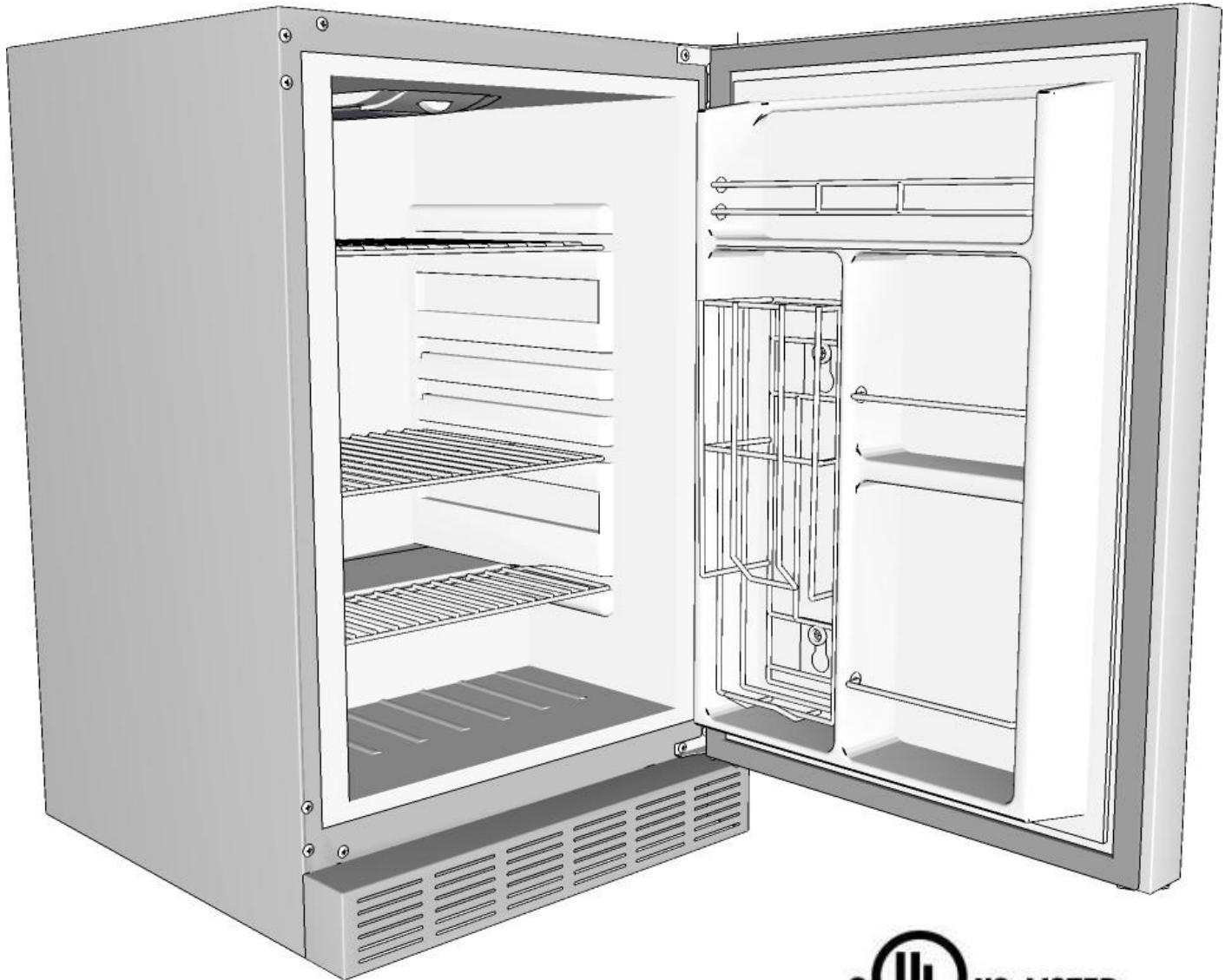


SUNSTONE
Stainless Steel Grills



**Read all instructions before you operate your fridge.
Save these instructions!**

For Residential Outdoor Use Only

To installer or person assembling fridge: Leave this manual with fridge for future reference.
To consumer: Keep this manual for future reference.

www.sunstonegasgrills.com

Welcome & Congratulations

Congratulations on your purchase of a new Sunstone Refrigerator! We are very proud of our product and we are completely committed to providing you with the best service possible. Your satisfaction is our #1 priority. Please read this manual carefully to understand all the instructions about how to install, operate and maintain for optimum performance and longevity. We know you'll enjoy your new refrigerator and thank you for choosing our product. We hope you consider us for future purchases.

How to Obtain Service

1-888-934-9449

Before you call

Is the fridge plugged in?

Have you set the temperature control?

Please make sure you have the following information:

Model Number | Date of Purchase | Serial Number. (The serial number can be located on the rating plate, which is located on the back side of refrigerator.)

For warranty service, contact SUNSTONE Customer Service Department at (888)-934-9449 or email

Must keep copy of your sales slip for proof of purchase.

YOUR NAME _____ DATE OF PURCHASE _____

ADDRESS _____

MODEL NO _____ SERIAL NO _____

COMPANY THAT YOU PURCHASED FROM _____

Unpacking and Assembly

Your Refrigerator arrives nearly ready to use and requires little assembly. Carefully follow these steps, unpack the grill, removing all packing material and protective film.

Before Using Your Unit

Remove the exterior and interior packing.

Check to be sure you have all of the following parts: 2 Shelves, 1 Instruction Manual

Before connecting the unit to the power source, let it stand upright for approximately 2 hours. This will reduce the possibility of a malfunction in the cooling system from handling during transportation.

- Clean the interior surface with lukewarm water using a soft cloth.

INDEX DIRECTORY

Installation & Maintenance

Refrigerator Safety-----	4
Safety Guidelines-----	5
Before Using Unit -----	6

Installation & Assembly

Installing your Unit-----	7
Electrical Connections-----	8
Reversible Door Swing -----	9

Operating Your Unit

Setting Temperature Control-----	10
Energy Saving Tips-----	10
Vacation Time -----	10
Moving Your Unit -----	10

Specification and Parts list

Refrigerator Parts List-----	11
------------------------------	----

Appendix

Cleaning and maintenance -----	12
Wiring Diagram -----	13
Troubleshooting -----	14
Warranty -----	15



REFRIGERATOR SAFETY

Your safety and the safety of others are very important.

We have provided many important safety messages in this manual for your appliance. Always read and obey all safety messages.



This is the Safety Alert Symbol. This symbol alerts you to potential hazards that can kill or injure you and others. All safety messages will follow the Safety Alert Symbol and either the words "DANGER", "WARNING" or "CAUTION".



DANGER: Danger means that failure to heed this safety statement may result in severe personal injury or death.



WARNING: Warning means that failure to heed this safety statement may result in extensive product damage, serious personal injury, or death.



CAUTION: Caution means that failure to heed this safety statement may result in minor or moderate personal injury, property or equipment damage.

INSTALLATION AND MAINTENANCE – Refrigerator Safety



DANGER: Before the refrigerator is used, it must be properly positioned and installed as described in this manual, so read the manual carefully. To reduce the risk of fire, electrical shock or injury when using the refrigerator, follow basic precaution, including the following:

DANGERS:

- Plug into a grounded 3-prong outlet, do not remove grounding prong, do not use an adapter, and do not use an extension cord.
- It is recommended that a separate circuit, serving only your refrigerator be provided. Use receptacles that cannot be turned off by a switch or pull chain.
- Never clean refrigerator parts with flammable fluids. These fumes can create a fire hazard or explosion. And do not store or use gasoline or other flammable vapors and liquids in the vicinity of this or any other appliance. The fumes can create a fire hazard or explosion.
- Before proceeding with cleaning and maintenance operations, make sure the power line of the unit is disconnected.
- Do not connect or disconnect the electric plug when your hands are wet.
- Unplug the refrigerator or disconnect power before cleaning or servicing. Failure to do so can result in electrical shock or death.
- Do not attempt to repair or replace any part of your refrigerator unless it is specifically recommended in this manual. All other servicing should be referred to a qualified technician.

INSTALLATION AND MAINTENANCE – Safety Guidelines

WARNINGS:

- Use two or more people to move and install refrigerator. Failure to do so can result in back or other injury.
- To ensure proper ventilation for your refrigerator, the front of the unit must be completely unobstructed. Choose a well-ventilated area with temperatures above 60°F (16°C) and below 90°F (32°C). This unit should be installed in an area protected from the direct elements, such as wind and rain.
- The refrigerator should not be located directly next to ovens, grills or other sources of high heat.
- The refrigerator must be installed with all electrical, water and drain connections in accordance with state and local codes. A standard electrical supply (115 V AC only, 60 Hz), properly grounded in accordance with the National Electrical Code and local codes and ordinances is required.
- Do not kink or pinch the power supply cord of refrigerator.
- The fuse (or circuit breaker) size should be 15 amps.
- It is important for the refrigerator to be leveled in order to work properly. You may need to make several adjustments to level it.
- All installation must be in accordance with local plumbing code requirements.
- Make certain that the pipes are not pinched or kinked or damaged during installations.
- Check for leaks after connection.
- Never allow children to operate, play with or crawl inside the refrigerator.
- Do not use solvent-based cleaning agents or abrasives on the interior. These cleaners may damage or discolor the interior.
- Do not use this apparatus for other than its intended purpose.

INSTALLATION AND MAINTENANCE – Before Using Unit

Setting the Temperature Control

Your unit has only one control for regulating the temperature in the compartment. The temperature control is located on the upper right hand side of the compartment.

- The first time you turn the unit on, set the temperature control to “5”.
- The range of the temperature control is from position "OFF" to “5”. “1” is warmer and “5” is cooler. After 24 to 48 hours, adjust the temperature control to the setting that best suits your needs. The setting of “3” should be appropriate for home or office use.
- To turn the appliance off, turn the temperature control to “OFF”.

Electrical Connection

- Turning the temperature control to “OFF” position stops the cooling cycle but does not shut off the power to the unit.
- If the unit is unplugged, has lost power, or is turned off, you must wait 3 to 5 minutes before restarting the unit. If you attempt to restart before this time delay, the unit will not start.

Food Storage

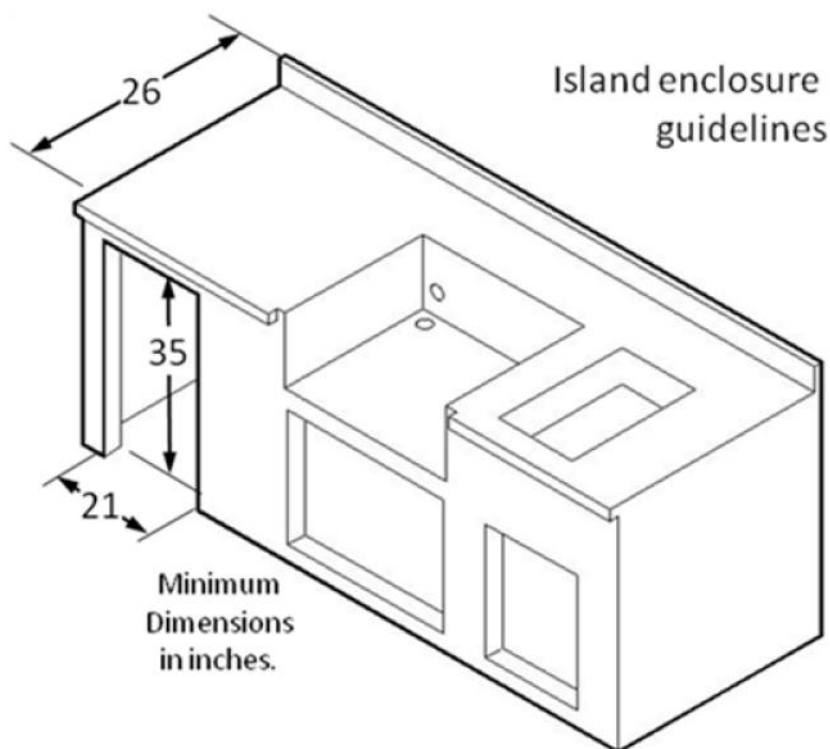
- Use plastic wrap to keep food and place evenly on wire rack or drawer.
- Let hot food cool down before put into this refrigerator for energy saving.
- Don't open door or drawer frequently.
- Keep gap between foods inside refrigerator.
- Keep food dry before storage.

INSTALLATION AND ASSEMBLY – Installing Your Unit

Placement and Location

- Remove food from refrigerator when power is out.
- Place your unit on a floor that is strong enough to support the unit when it is fully loaded. To level your unit, adjust the leveling legs at the bottom of the unit.
- Locate the unit away from direct sunlight and sources of heat (stove, heater, radiator, etc.). Direct sunlight may affect the acrylic coating and heat sources may increase electrical consumption. Extreme cold ambient temperatures may also cause the unit not to perform properly.
- Plug the unit into an exclusive, properly installed-grounded wall outlet. Do not under any circumstances cut or remove the third (ground) prong from the power cord. Any questions concerning power and/or grounding should be directed toward a certified electrician or an authorized Products service center.
- After plugging the appliance into a wall outlet, allow the unit to cool down for 2-3 hours before placing food in the refrigerator compartment.
- Unit Safety Clearance

BACK	≥ 200 mm
LEFT	≥ 100 mm
RIGHT	≥ 100 mm
TOP	≥ 100 mm



INSTALLATION AND ASSEMBLY – Electrical Connection



WARNING: Improper use of the grounded plug can result in the risk of electrical shock. If the power cord is damaged, have it replaced by an authorized service center.

This unit should be properly grounded for your safety. The power cord of this unit is equipped with a three-prong plug which mates with standard three prong wall outlets to minimize the possibility of electrical shock.

Do not under any circumstances cut or remove the third ground prong from the power cord supplied. For personal safety, this appliance must be properly grounded.

This unit requires a standard 115 Volt AC /60Hz electrical outlet with three-prong ground. Have the wall outlet and circuit checked by a qualified electrician to make sure the outlet is properly grounded. When a standard 2-prong wall outlet is encountered, it is your responsibility and obligation to have it replaced with a properly grounded 3-prong wall outlet.

The cord should be secured behind the unit and not left exposed or dangling to prevent accidental injury.

The unit should always be plugged into its own individual electrical outlet which has a voltage rating that matches the rating label on the appliance. This provides the best performance and also prevent overloading house wiring circuits that could cause a fire hazard from overheating. Never unplug the unit by pulling the power cord. Always grip the plug firmly and pull straight out from the receptacle. Repair or replace immediately all power cords that have become frayed or otherwise damaged. Do not use a cord that shows cracks or abrasion damage along its length or at either end. When moving the unit, be careful not to damage the power cord.

Extension Cord

Because of potential safety hazards under certain conditions, it is strongly recommended that you do not use an extension cord with this unit. However, if you must use an extension cord it is absolutely necessary that it be a 3-wire grounding type appliance extension cord having a grounding type plug and outlet and that the electrical rating of the cord be 220 volts and at least 15 amperes.

INSTALLATION AND ASSEMBLY – Reversible Door Swing

This refrigerator can be opened either from the left or right side. The default way of opening the door is from the right side. If you want to open the door from the left side, please follow the instructions below. Refer to figures 1 and 2 on the following page.

NOTE: All the removed parts must be well kept for the reinstallation of the door

1. Remove the three screws (5) that hold the lower door hinge (4), keep the hinge for later use.
2. Remove the door from the upper pin, and keep the padded surface upwards to prevent scratching.
3. Remove the upper hinge cover (1), remove the two screws (2), and hold the upper hinge (1), save the hinge for later use.
4. Remove the cover (7) and transfer it to the same location on the opposite side.

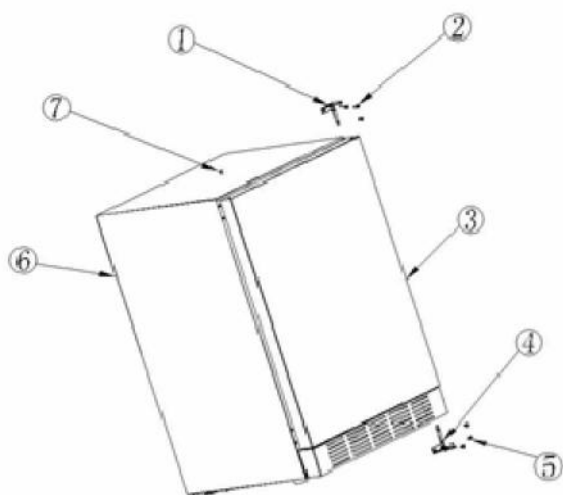


FIGURE 1 (Normal position)

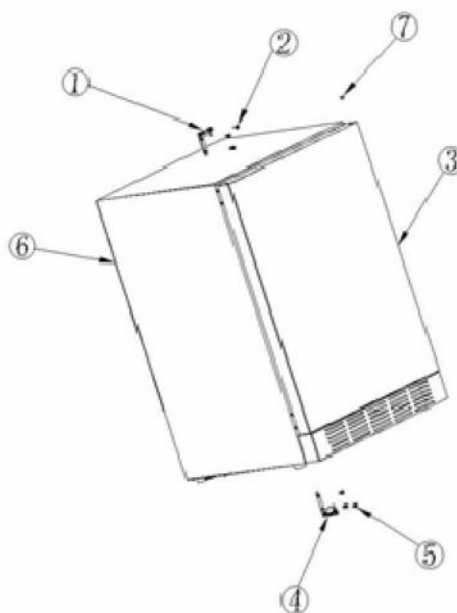


FIGURE 2 (Position after door reversal)

Top Hinge -----1
 Screw (3) -----2
 Door-----3
 Bottom Hinge----4
 Screw (3) -----5
 Frame-----6
 Hole Cover-----7

5. Insert the lower door hinge in the right side, fix the lower right hinge by tightening all the screws.
6. Remove the pin cap (9) from the right side of the upper frame of the door, and then transfer it to the same location on the opposite side.
7. Put the door on the Lower Door Hinge(5), keep the door level , and then fix the upper hinge(3) to the body(4) by the screws
8. Put on the upper hinge cover (1).

OPERATING YOUR UNIT– Setting the Temperature Control

Temperature Control

Turning the temperature control to “OFF” position stops the cooling cycle but does not shut off the power to the unit. If the unit is unplugged, has lost power, or is turned off, you must wait 3 to 5 minutes before restarting the unit. If you attempt to restart before this time delay, the unit will not start. Your unit has only one control for regulating the temperature in the compartment. The temperature control is located on the upper right hand side of the compartment.

- The first time you turn the unit on, set the temperature control to “6”.
- The range of the temperature control is from position "OFF" to “6”. After 24 to 48 hours, adjust the temperature control to the setting that best suits your needs. The setting of “3” should be appropriate for home or office use.
- To turn the appliance off, turn the temperature control to “OFF”.

Energy Saving Tips

- The unit should be located in the coolest area of the room, away from heat producing appliances, and out of the direct sunlight.
- Let hot foods cool to room temperature before placing in the unit. Overloading the unit forces the compressor to run longer.
- Be sure to wrap foods properly, and wipe containers dry before placing them in the unit. This cuts down on frost build-up inside the unit.
- Unit storage bin should not be lined with aluminum foil, wax paper, or paper toweling. Liners interfere with cold air circulation, making the unit less efficient.
- Organize and label food to reduce door openings and extended searches. Remove as many items as needed at one time, and close the door as soon as possible.

Vacation Time

Short vacations: Leave the unit operating during vacations of less than three weeks.

Long vacations: If the appliance will not be used for several months, remove all food and unplug the power cord. Clean and dry the interior thoroughly. To prevent odor and mold growth, leave the door open slightly: blocking it open if necessary.

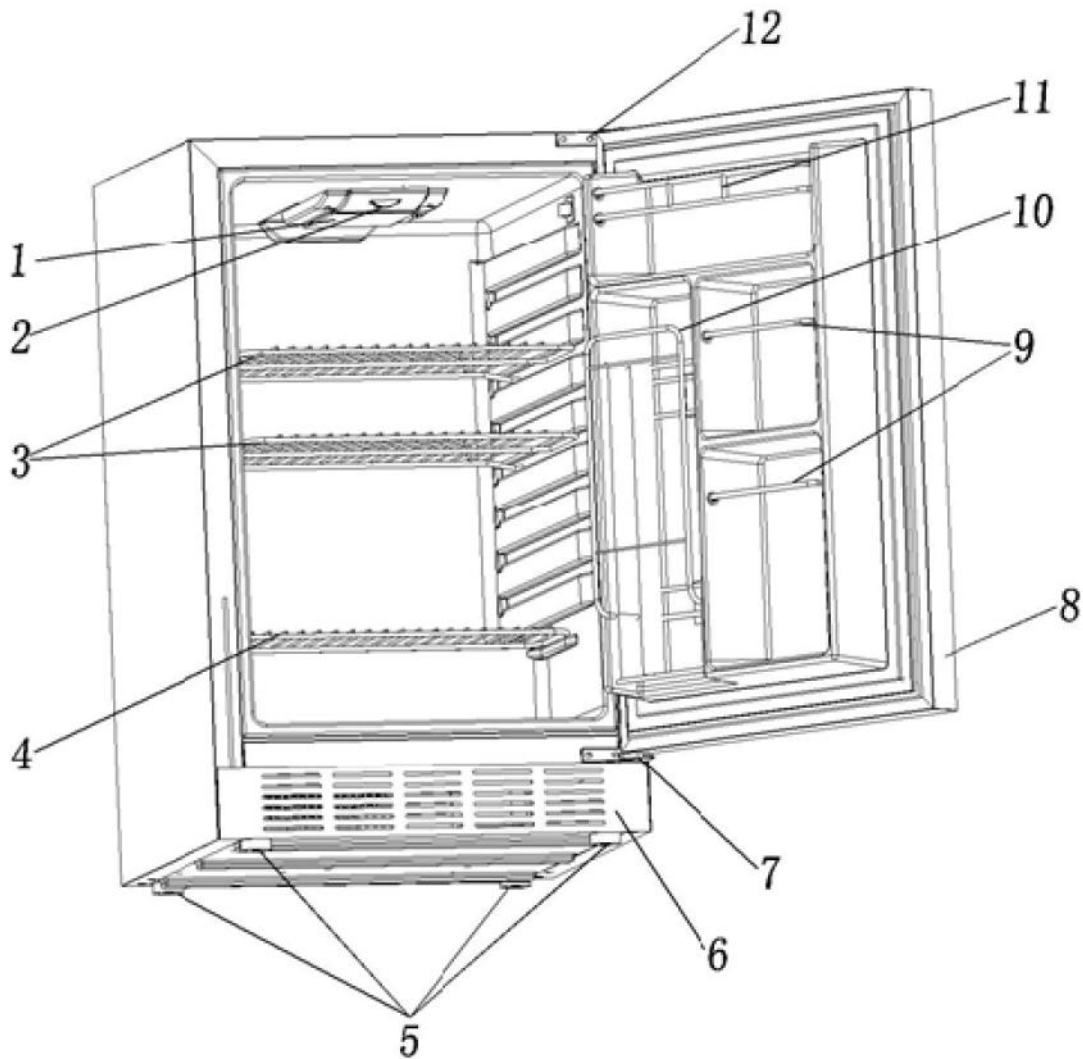
Moving the Refrigerator

1. Remove all the food.
2. Securely tape down all loose items inside your unit.
3. Turn the leveling legs up to the base to avoid damage.
4. Tape the door shut.
5. Be sure the unit stays secure in the upright position during transportation. Also protect the outside of unit with a blanket, or similar item.

SPECIFICATION AND PARTS LIST- Model No. FR401

SUN5B-IR-LP / SUN5B-IR-NG Parts List			
No	Description	Qty	Part No.
1	Light Lens Cover	1	FR-LTC
2	Temperature Control Knob	1	FR-TCK
3	Upper Shelves	2	FR-UPSH
4	Lower Shelf	1	FR-LRSH
5	Leveling Leg	4	FR-LEG
6	Venting Grid	1	FR-VENT
7	Bottom Hinge	1	FR-BTHG
8	Door	1	FR-DR
9	Door Bar	2	FR-DRBR
10	Can Dispenser	1	FR-CNDS
11	Condiment Bar	1	FR-CDBR
12	Top Hinge	1	FR-TPHG

NOTES



APPENDIX – Care & Maintenance



CAUTION: Do not use boiling water because it may damage the plastic parts. In addition, never use a sharp or metallic instrument to remove frost as it may damage the cooling system and will void the warranty. We recommend using a plastic scraper.

Cleaning Your Refrigerator

1. Turn the temperature control to "OFF", unplug the unit, and remove the food, shelf, and tray.
2. Wash the inside surfaces with a warm water and baking soda solution. The solution should be about 2 tablespoons of baking soda to a quart of water.
3. Wash the shelf and tray with a mild detergent solution.
4. The outside of the unit should be cleaned with mild detergent and warm water.
5. Wring excess water out of the sponge or cloth before cleaning the area of the controls, or any electrical parts.
6. Wash the outside cabinet with warm water and mild liquid detergent. Rinse well and wipe dry with a clean soft cloth.



CAUTION: Failure to unplug the unit could result in electrical shock or personal injury.

APPENDIX – Electrical Wiring Diagram

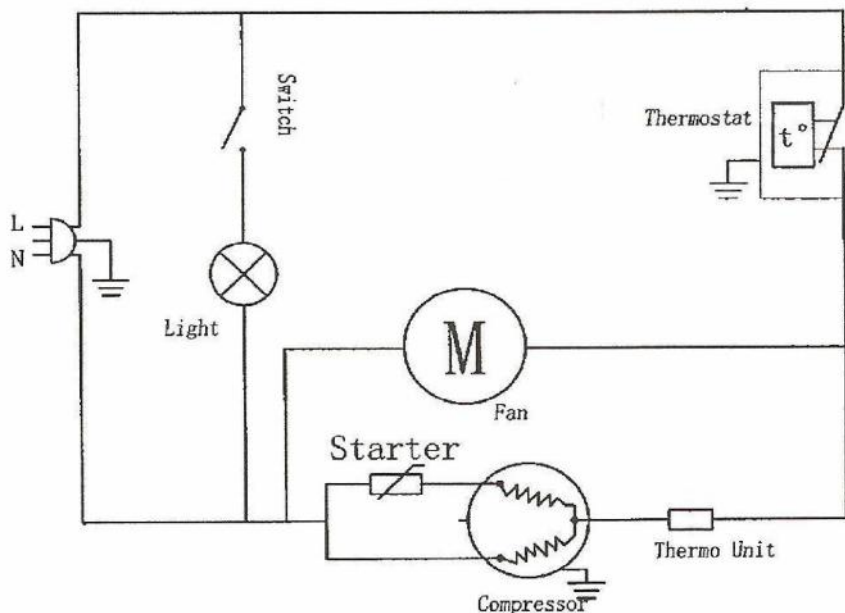
Power Failure

Most power failures are corrected within a few hours and should not affect the temperature of your unit if you minimize the number of times the door is opened. If the power is going to be off for a longer period of time, you need to take the proper steps to protect your food.

■ Technical Data

Item	Data	Model	RF40D
Voltage	V		110~
Frequency	HZ		60
Current	A		1.55
Input Wattage	W		115
Consumption	Kw. h/24h		0.85
Volume	cuft		4.1
Dimensions (W X D X H)	mm		520*572*840
Refrigerant			R134a
Refrigerant Charge	pounds		0.0883
High Pressure	psig		218
Low Pressure	psig		88
Weight	KG		45
Insulation			PU

■ Wiring Diagram



Note: This wire diagram is just for reference only. The wiring label on back of refrigerator will be accurate.

APPENDIX- Troubleshooting

QUESTION

Unit does not operate?

ANSWER

Not plugged in. The circuit breaker tripped or a blown fuse. The unit temperature control is set at "OFF" position.

QUESTION

Turns on and off frequently?

ANSWER

The room temperature is hotter than normal. A large amount of food has been added to the unit. The door is opened too often. The door is not closed completely. The temperature control is not set correctly. The door gasket does not seal properly. The unit does not have the correct clearances.

QUESTION

Vibrations?

ANSWER

Check to assure that the unit is level.

QUESTION

The unit seems to make too much noise?

ANSWER

The rattling noise may come from the flow of the refrigerant, which is normal. As each cycle ends, you may hear gurgling sounds caused by the flow of refrigerant in your unit. Contraction and expansion of the inside walls may cause popping and crackling noises. The unit is not level.

QUESTION

The door will not close properly?

ANSWER

The unit is not level. The door was reversed and not properly installed. The gasket is dirty or bent. The shelves, bins, or baskets are out of position.

APPENDIX- Warranty

SUNSTONE OUTDOOR GAS GRILL & COMPONENT WARRANTY

LIMITED WARRANTY

SUNSTONE warrants to the original purchaser at the original site of delivery with proof of purchase of each Refrigerator that when subject to normal residential use, it is free from defects in workmanship and material for the periods specified below. This warranty excludes refrigerators used in rental or commercial applications. It does not cover labor or labor related charges. There will be shipping and handling charge for the delivery of the warranty part(s).

LIMITED ONE-YEAR WARRANTY

Our obligation under this warranty is limited to repair or replacement, at our option, of the product during the warranty period. The extent of any liability of Manufacturer, under this warranty is limited to repair or replacement. This warranty does not cover normal wear of parts, damage resulting from any of the following: negligent use or misuse of the product, use contrary to operating instructions, or alteration by any person other than our factory service center. The warranty period is not extended by such repair or replacement.

LIMITATIONS & EXCLUSIONS

1. *SUNSTONE warranty applies only to the original purchaser and may not be transferred.*
2. *SUNSTONE warranty is in lieu of all other warranties expressed or implied and all other obligations or liabilities related to the sale or use of its grill products.*
3. *SUNSTONE warranty shall not apply and SUNSTONE is not responsible for damage resulting from misuse, abuse, alteration of or tampering with the appliance, accident, hostile environment, improper installation, or installation not in accordance with the instructions contained in the User Manual, or the local codes.*
4. *SUNSTONE shall not be liable for incidental, consequential, special or contingent damages resulting from its breach of this written warranty or any implied warranty.*
5. *Some states do not allow limitations on how long an implied warranty lasts, or the exclusions of or limitations on Consequential damages. This warranty gives you specific legal rights and you may have other rights, which vary from state to state.*
6. *No one has the authority to add to or vary SUNSTONE warranty, or to create for SUNSTONE any other obligation or liability in connection with the sale or use of its products.*

WHAT IS NOT COVERED & INTERNET PURCHASE DISCLAIMER

1. SUNSTONE shall not be responsible for and shall not pay for the following Installation or setup.
2. Service by an unauthorized service provider;
3. Damage or repair due to service by an unauthorized service provider or use of unauthorized parts.
4. Damage caused by accidents, abuse, alteration, misuse, installation that is not in accordance with the instructions contained in the User Manual, or local codes.
5. To correct normal adjustments or settings, due to improper installation, commissioning or local electrical contractor companies.
6. Shipping and handling costs, export duties, or installation cost.
7. The cost of service calls to diagnose trouble; or Removal or re-installation cost.

This warranty applies to the original purchaser with invoice or proof of purchase and covers SunStone products intended for personal, family or household usage only. It does not apply to rust, corrosion, oxidation or discoloration, which may occur due to moisture, unless the affected component becomes inoperable. This warranty does not cover parts becoming defective by misuse, accidental damage, improper handling and/or installation. It does not cover labor or labor related charges. It specifically excludes liability for indirect, incidental or consequential damages. Some states do not allow the exclusion or limitation of incidental or consequential damages, so the above exclusion or limitation may not apply to you. This warranty gives you specified legal rights and you may have other rights which may vary from state to state.

For additional information regarding this warranty, or information on how to place a warranty claim, contact your authorized Sunstone dealer or Texas BBQ Wholesalers.