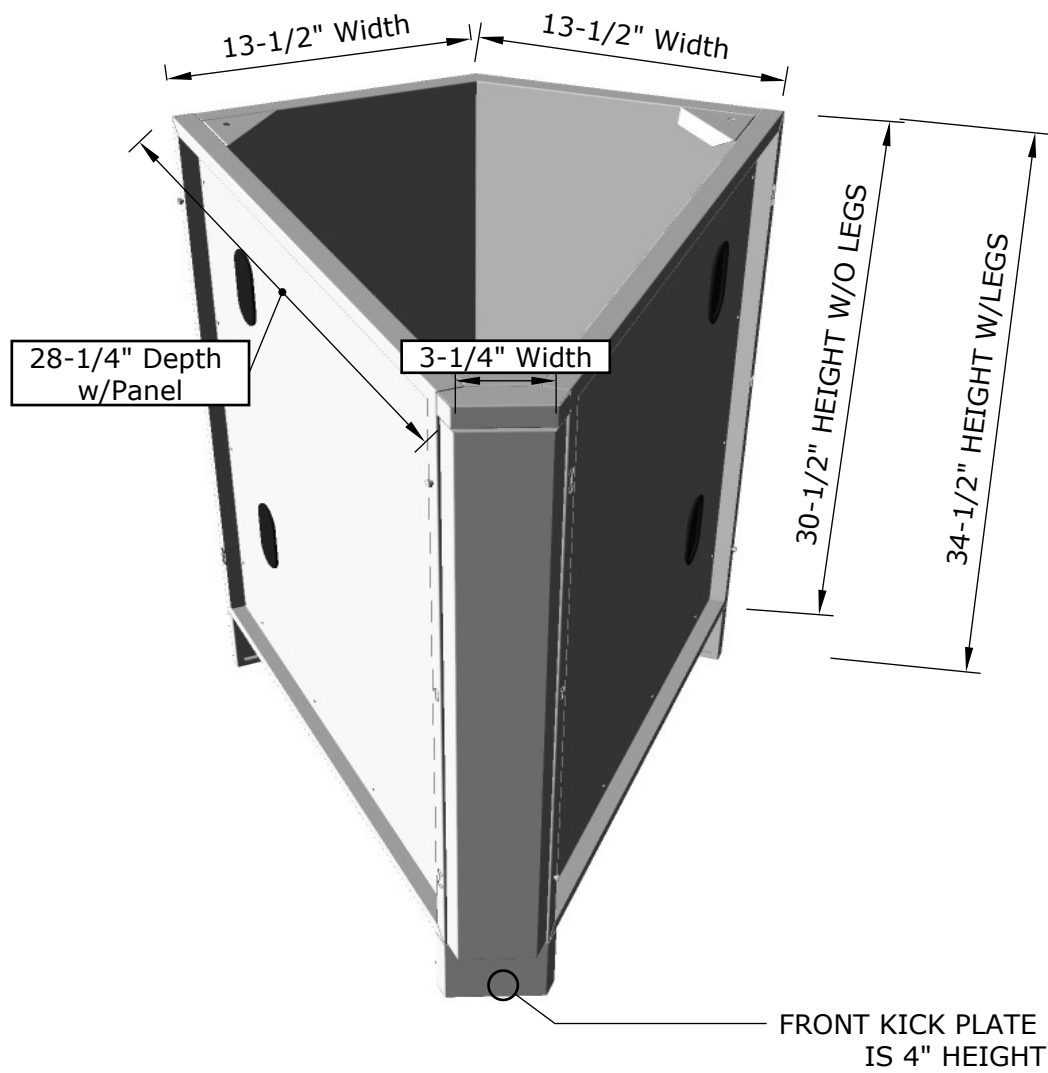
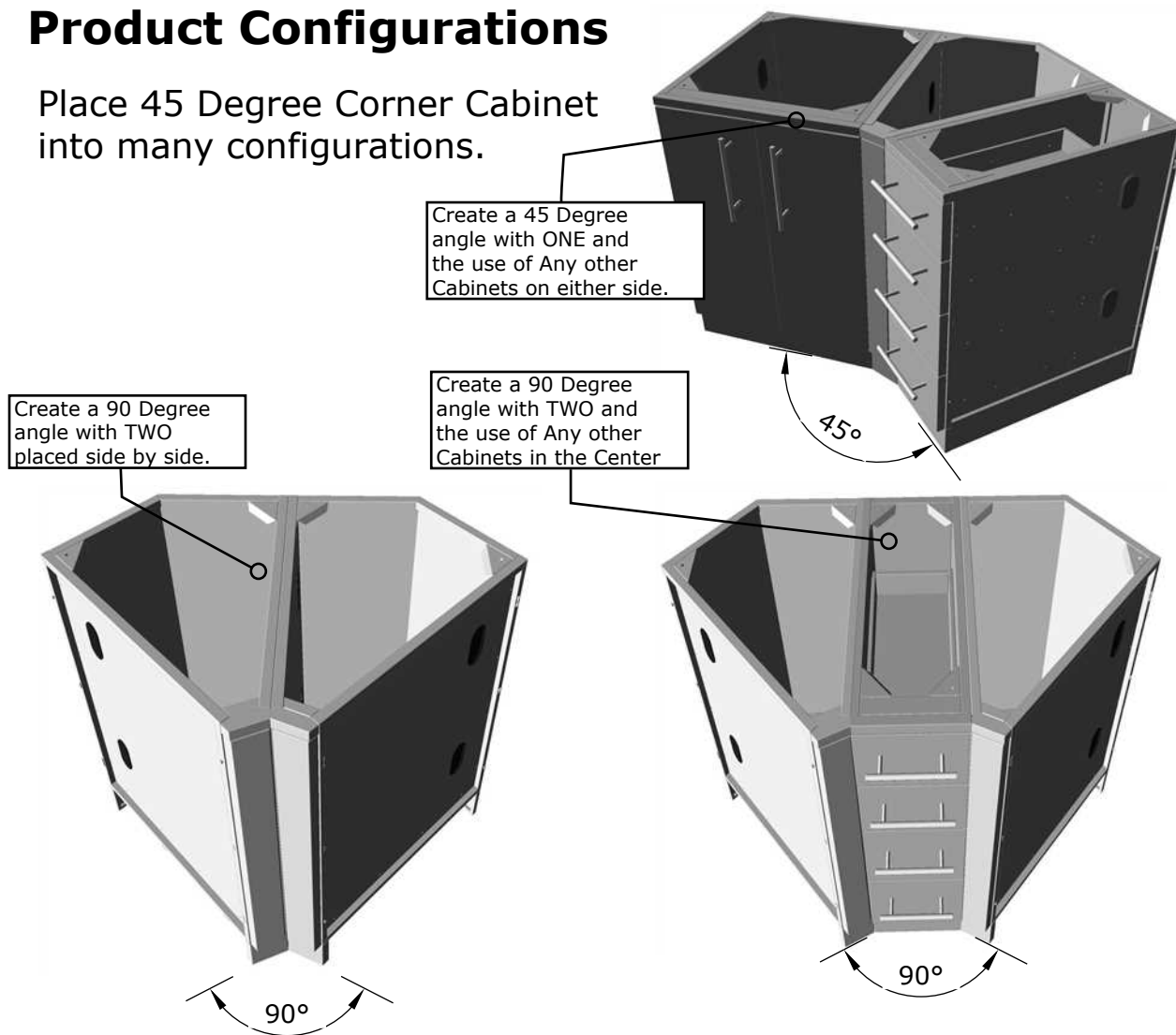


Product Dimensions



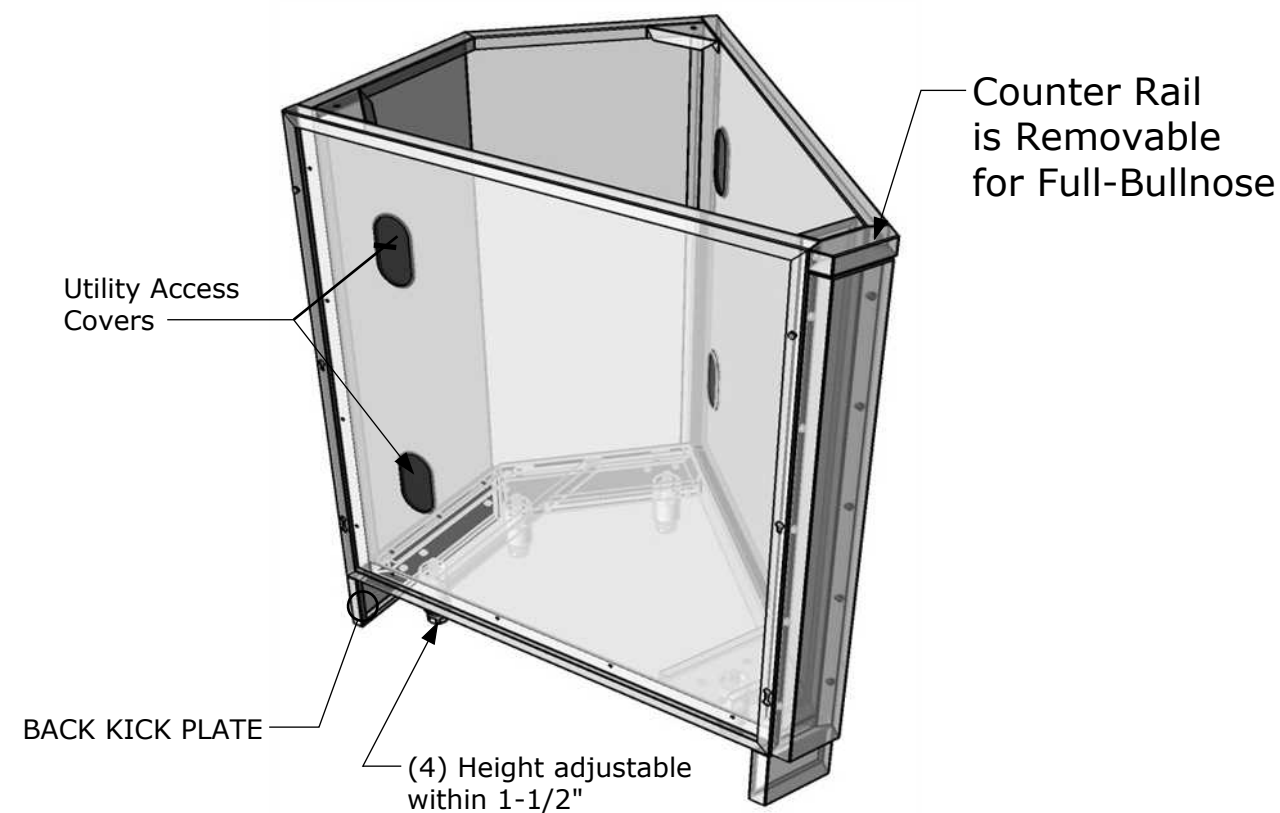
Product Configurations

Place 45 Degree Corner Cabinet into many configurations.

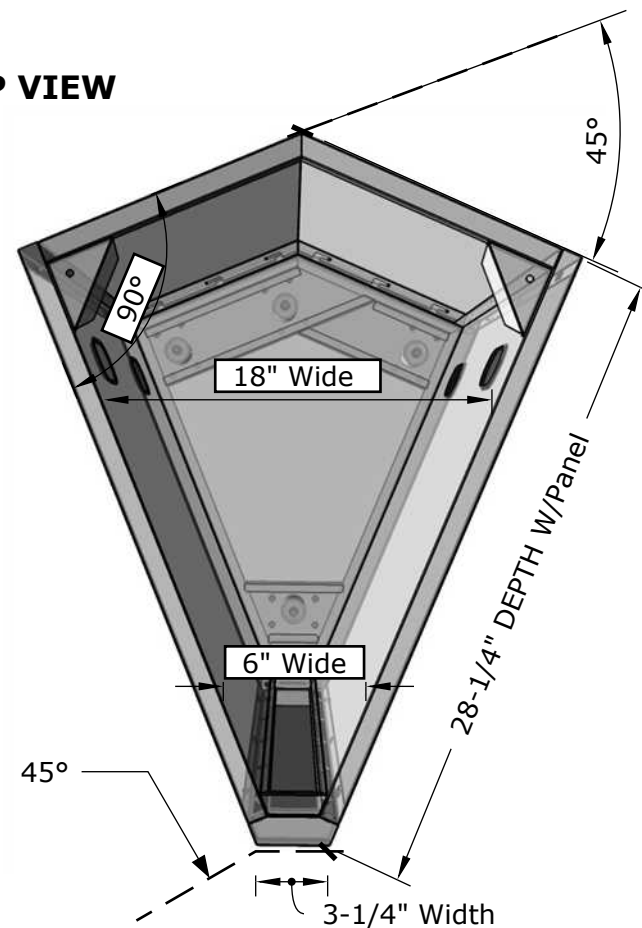


Product Diagrams

ISO VIEW



TOP VIEW



SUNSTONE METAL PRODUCTS
 16004 CENTRAL COMMERCE DR.
 PFLUGERVILLE, TEXAS 78660
 Tel: 888.934.9449
 Bus: 512.487.5116
 Fax: 512.487.7016

PRODUCT

3" Front Panel 45 Degree Corner Cabinet

Item No. SBC3C45

DESCRIPTION

3" Front Panel 45 Degree Corner Component Cabinet for base cabinets to create multiple corner configurations

- Lifetime Structure Warranty
- 304 Stainless Steel Structure
- Front & Back Kick-Plates
- Easy Pin-Lock Installation
- Covered Access Ports
- Adjustable Peg-Legs
- Optional Wheel Casters

PRODUCT DIMENSIONS

13-1/2" by 13-1/2" x 28-1/4" w/Panel) x 30-1/2" Height or 34-1/2" H (w/Legs)

MATERIAL SPECS

304 Stainless Steel entire structure, 18 Gauge for Door Panel, 18 Gauge for Cabinet Box, 18 Gauge for Shelf, Handles are made of Solid 304 Stainless Steel Bar.