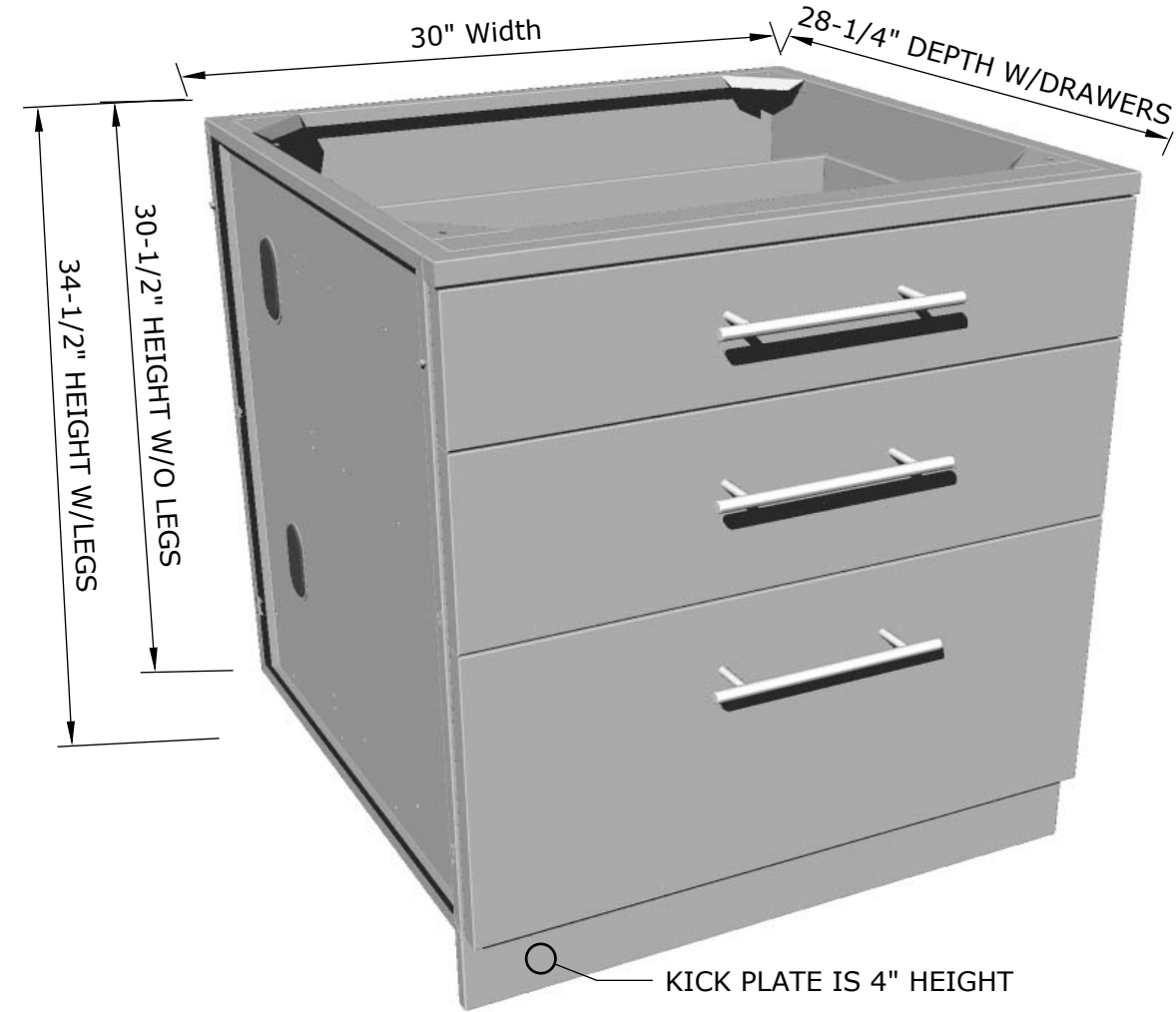
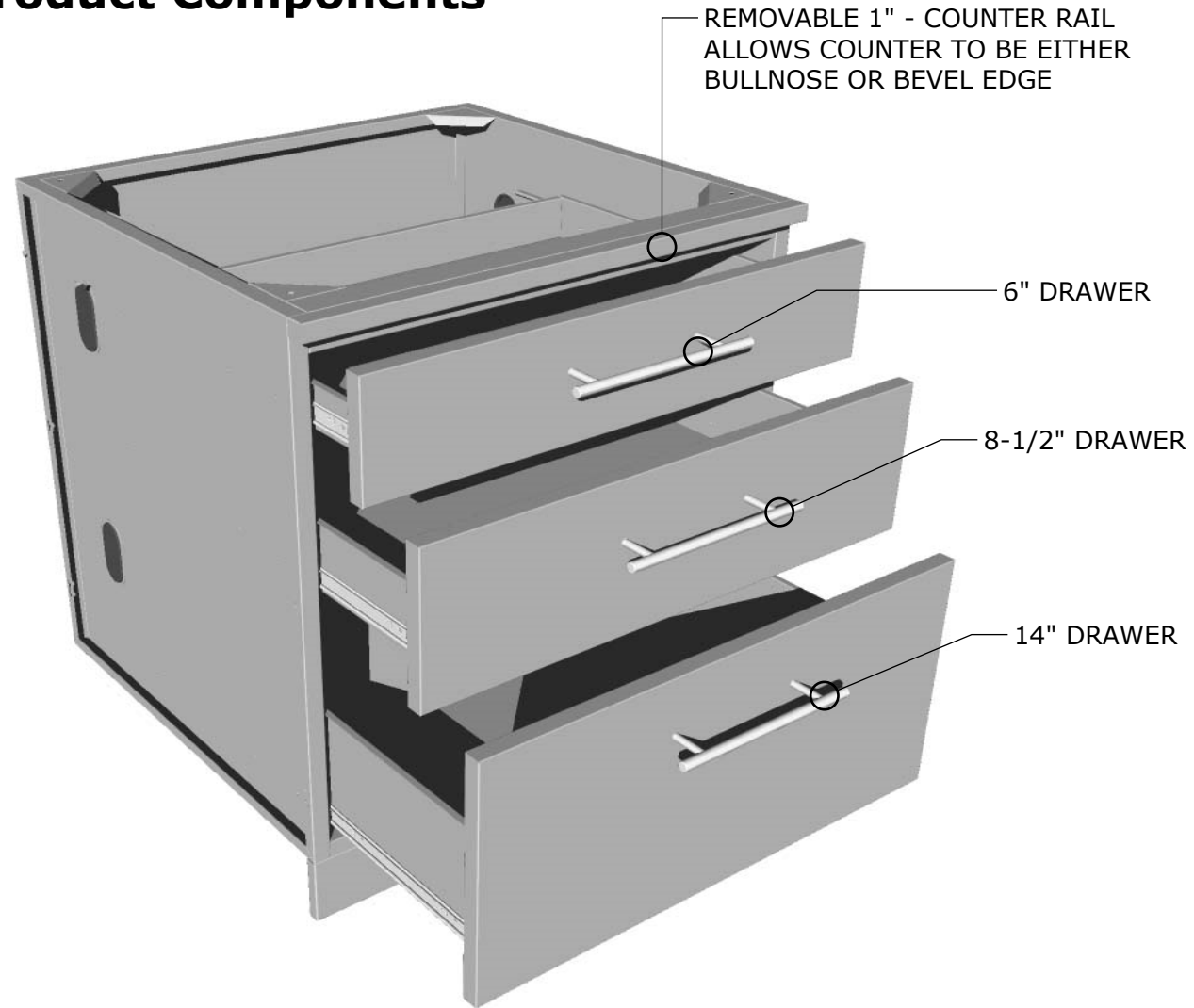


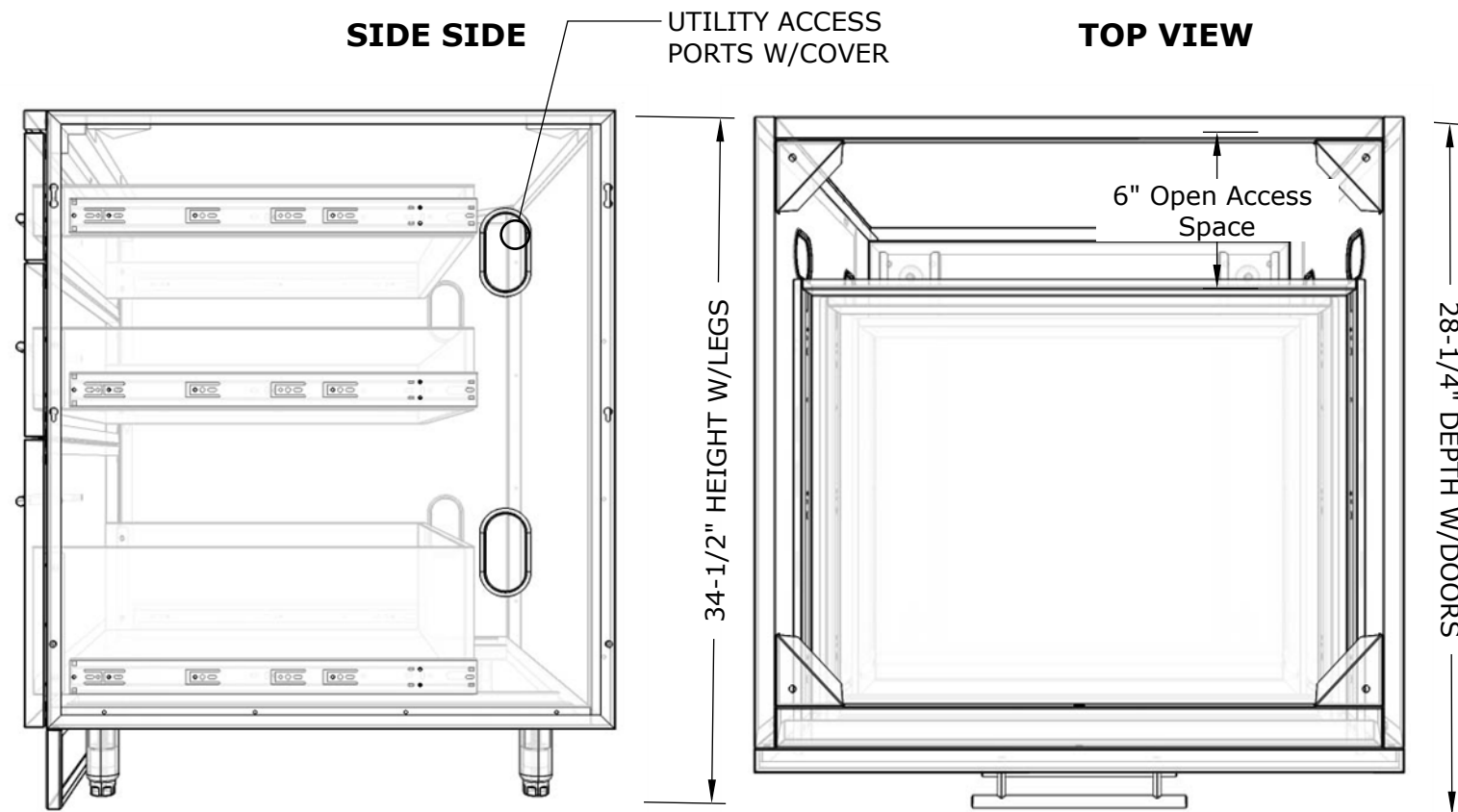
Product Dimensions



Product Components



Product Diagrams



SUNSTONE METAL PRODUCTS
 16004 CENTRAL COMMERCE DR.
 PFLUGERVILLE, TEXAS 78660
 Tel: 888.934.9449
 Bus: 512.487.5116
 Fax: 512.487.7016

PRODUCT

30" Large Triple Drawer Base Cabinet

Item No. SBC30STD

DESCRIPTION

30" Large Triple Drawer Base Cabinet

- Lifetime Structure Warranty
- 304 Stainless Steel Structure
- 304 SS Rod Handles
- Front & Back Kick-Plates
- Easy Pin-Lock Installation
- Soft-Close Drawer Tracks
- Covered Access Ports
- Adjustable Peg-Legs
- Optional Wheel Casters

INCLUDED COMPONENTS

- Front Kick Plate
- Back Kick Plate
- (4) Adjustable Peg Legs

PRODUCT DIMENSIONS

30"W x 28-1/4"D (w/Drawers) x
 34-1/2"H (w/Legs) or 30-1/2"H
 (no Legs) or Upto 36" Max
 Adjustable Height

INSERT DIMENSIONS

NONE

INSERTABLE PRODUCTS

NONE

MATERIAL SPECS

304 Stainless Steel entire structure, 18 Gauge for Door Panel, 18 Gauge for Cabinet Box, 18 Gauge for Shelf, Handles are made of Solid 304 Stainless Steel Bar.