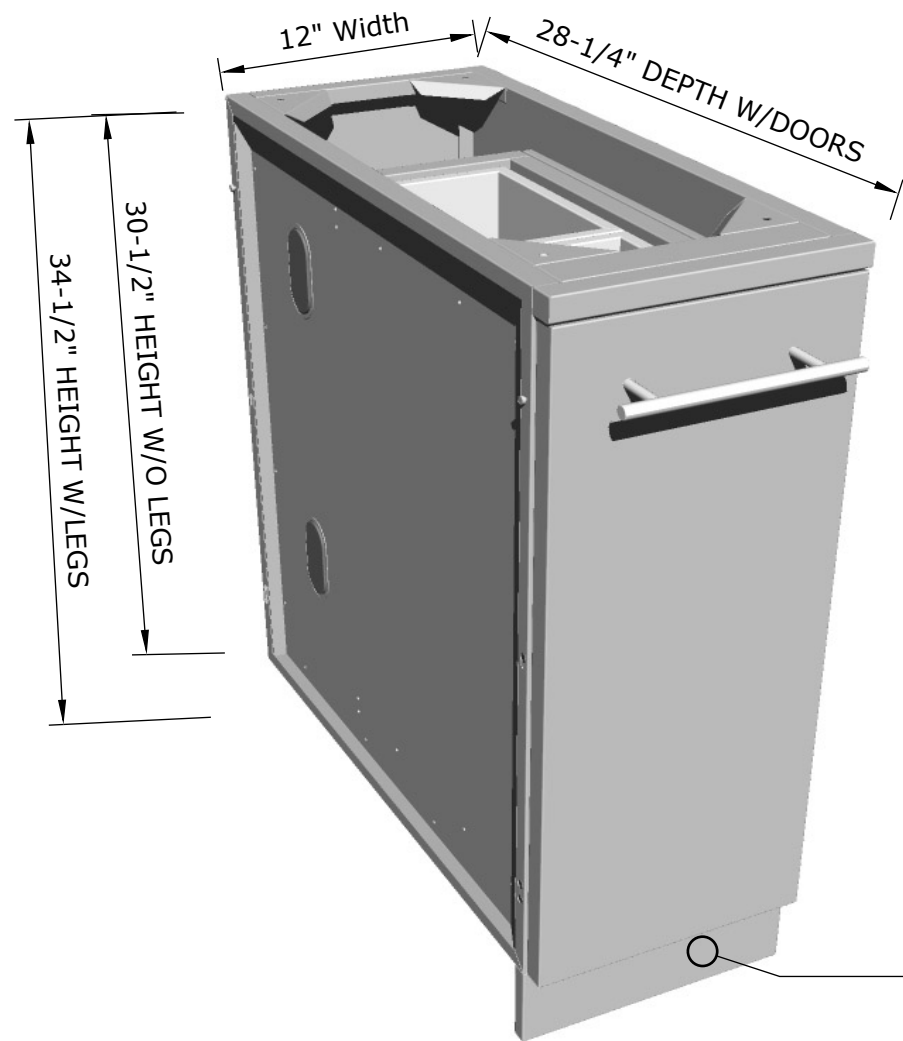
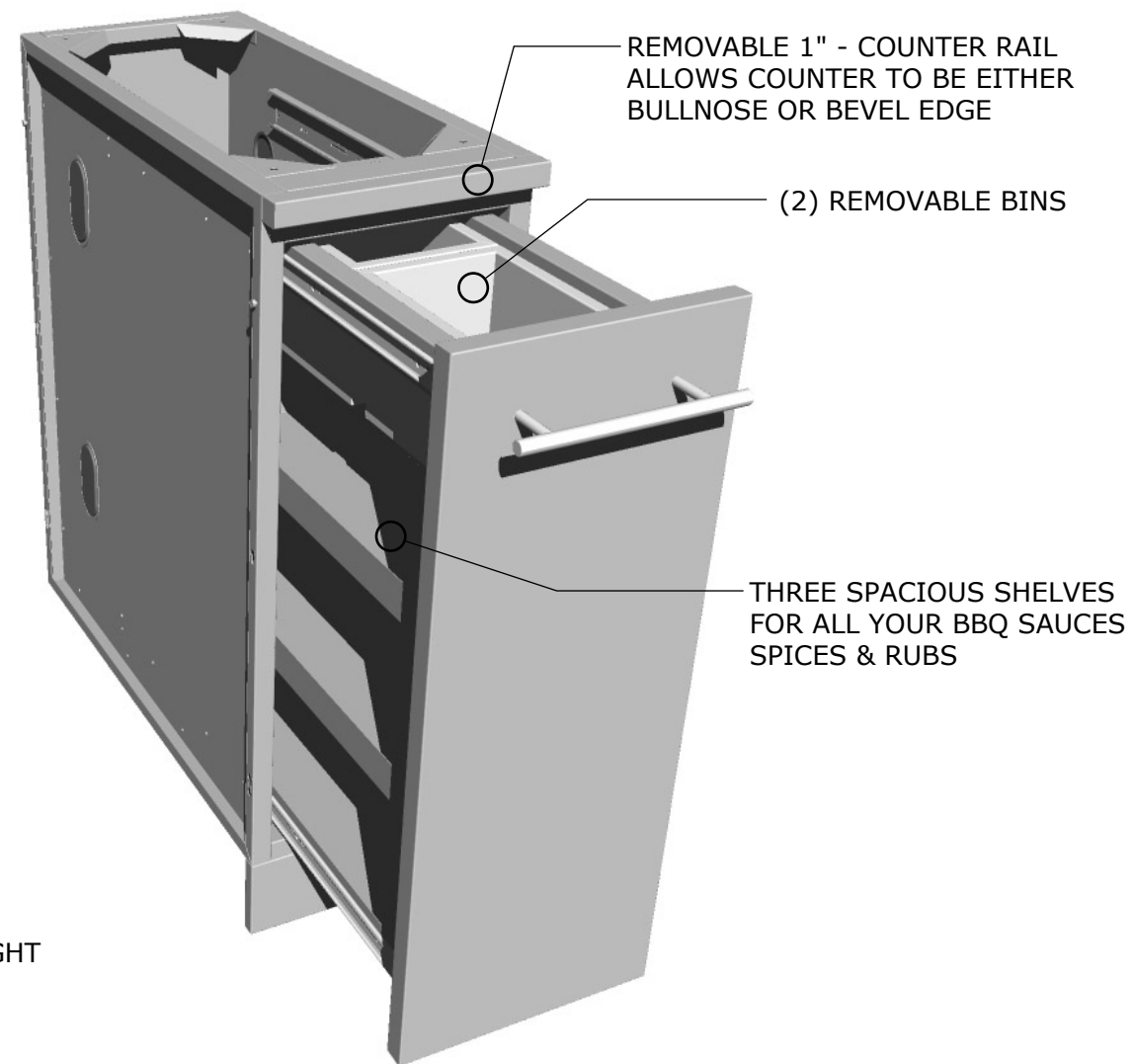


## Product Dimensions

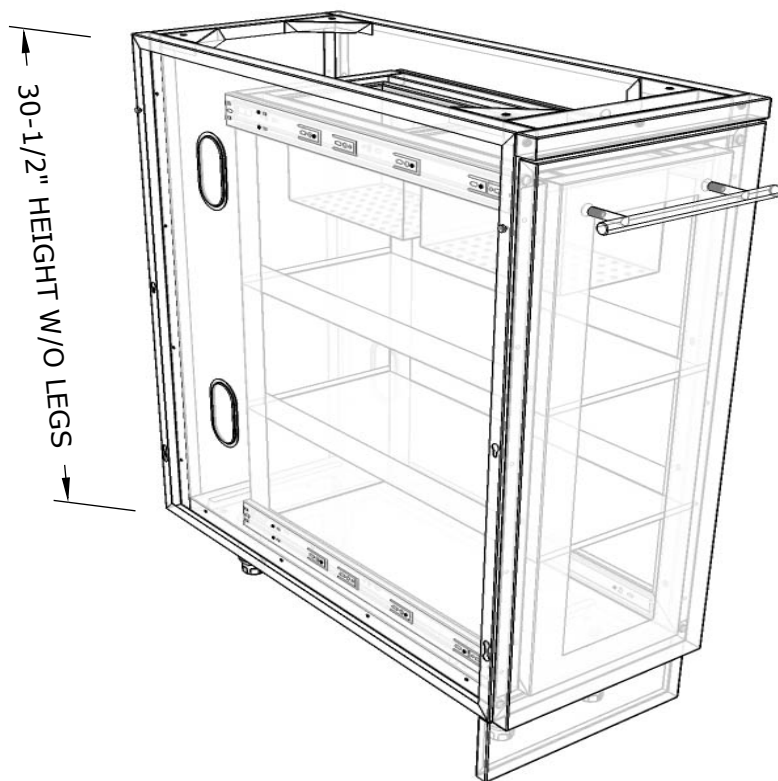


## Product Components



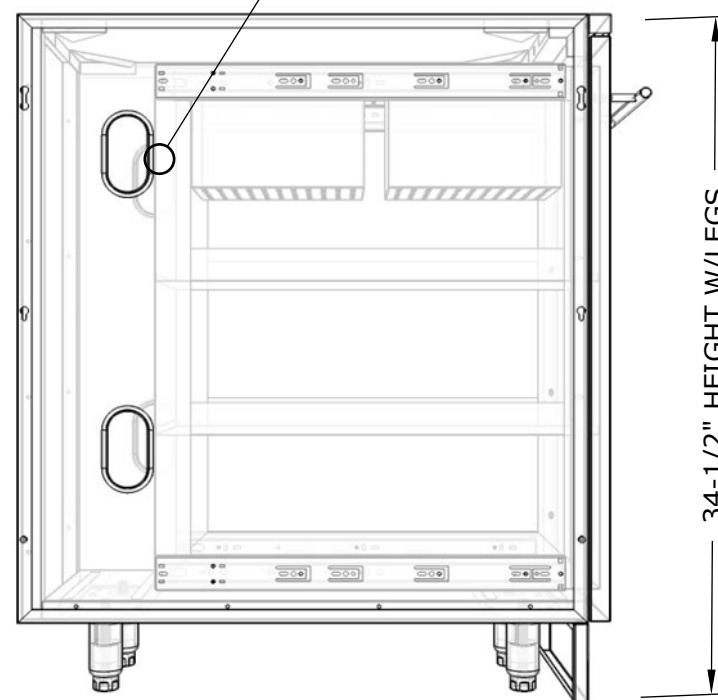
## Product Diagrams

ISO VIEW

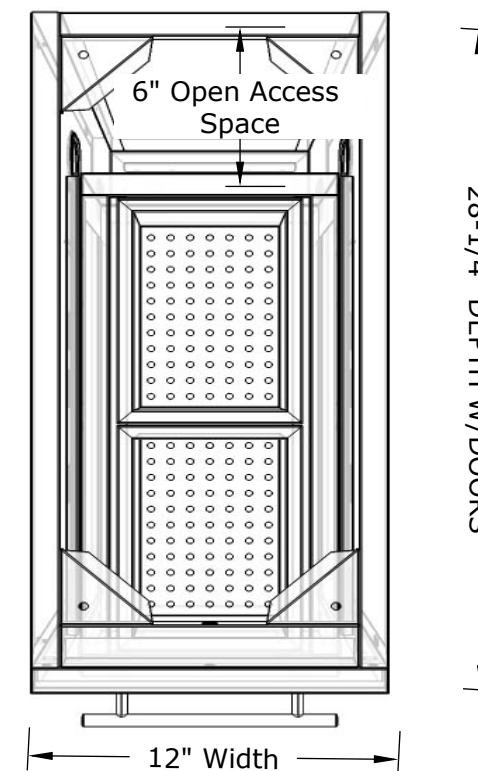


SIDE VIEW

UTILITY ACCESS PORTS W/COVER



TOP VIEW



**SUNSTONE METAL PRODUCTS**  
 16004 CENTRAL COMMERCE DR.  
 PFLUGERVILLE, TEXAS 78660  
 Tel: 888.934.9449  
 Bus: 512.487.5116  
 Fax: 512.487.7016

### PRODUCT

12" Spice Rack Drawer  
 w/Two Removable Bins

**Item No.** SBC12SSRD

### DESCRIPTION

12" Spice Rack Drawer with Two  
 Top Removable Bins and Three  
 Lower Shelves

- Lifetime Structure Warranty
- 304 Stainless Steel Structure
- 304 SS Rod Handles
- Front & Back Kick-Plates
- Easy Pin-Lock Installation
- Soft-Close Drawer Tracks
- Covered Access Ports
- Adjustable Peg-Legs
- Optional Wheel Casters

### INCLUDED COMPONENTS

- Front Kick Plate
- Back Kick Plate
- (4) Adjustable Peg Legs
- (2) Condiment Top Baskets

### PRODUCT DIMENSIONS

12"W x 28-1/4"D (w/Drawer) x  
 34-1/2"H (w/Legs) or 30-1/2"H  
 (no Legs) or Upto 36" Max  
 Adjustable Height

### INSERT DIMENSIONS

NONE

### INSERTABLE PRODUCTS

NONE

### MATERIAL SPECS

304 Stainless Steel entire  
 structure, 18 Gauge for Door  
 Panel, 18 Gauge for Cabinet  
 Box, 18 Gauge for Shelf,  
 Handles are made of Solid 304  
 Stainless Steel Bar.