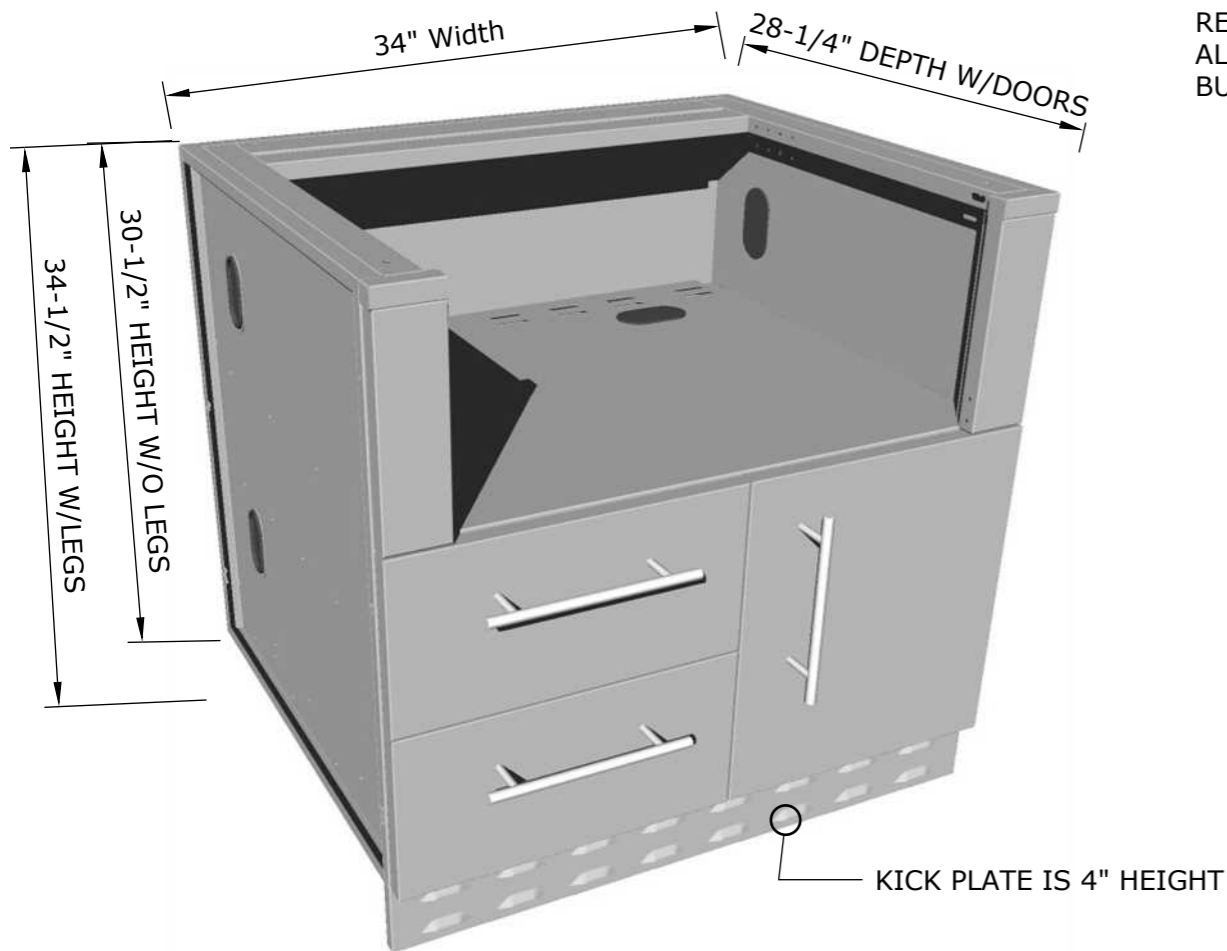
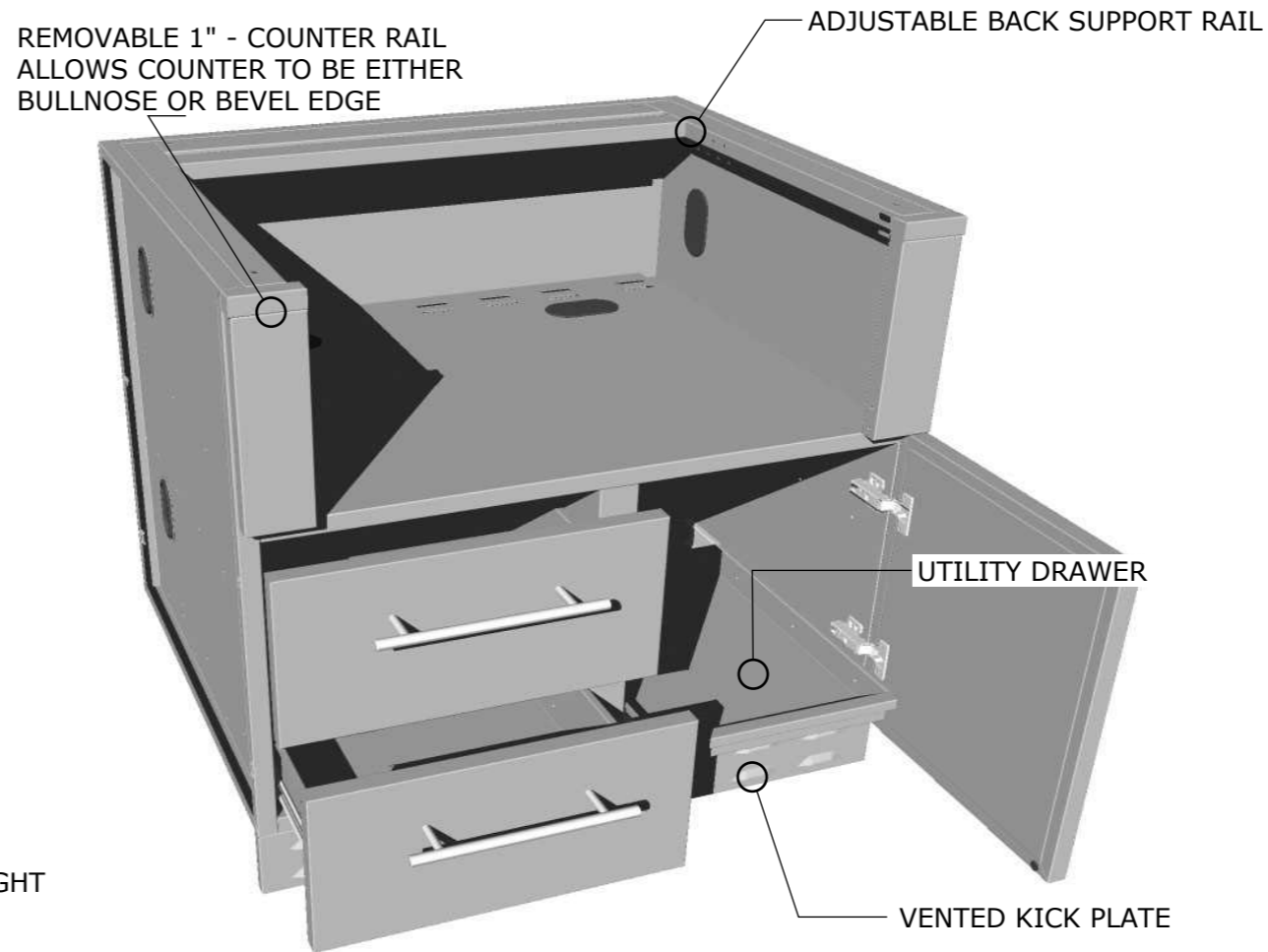


Product Dimensions



Product Components

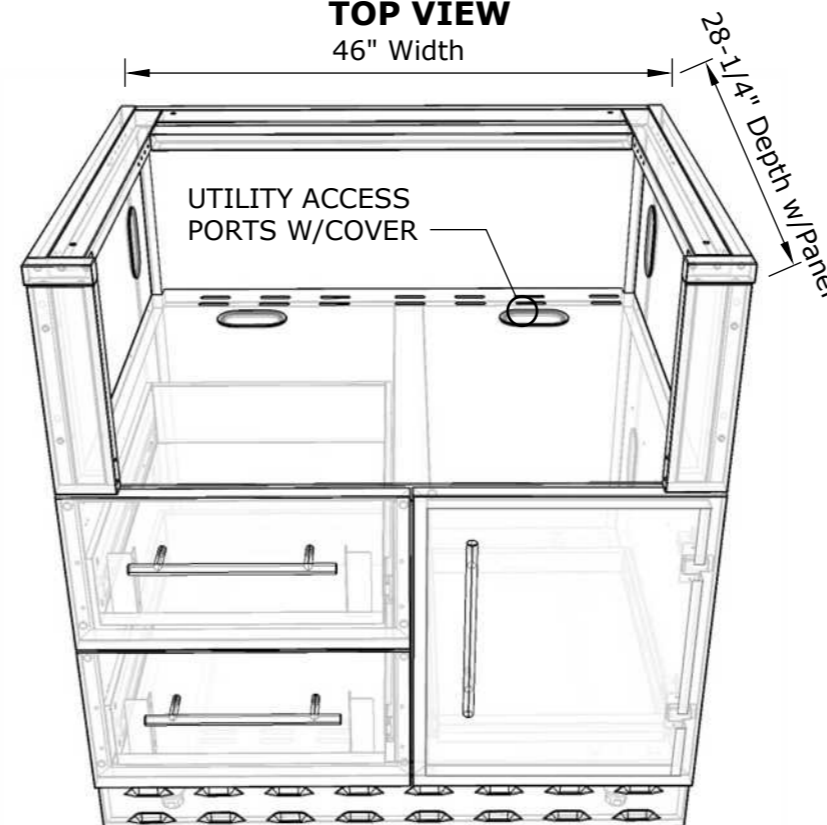


Product Diagrams

ISO VIEW



TOP VIEW



SUNSTONE METAL PRODUCTS
16004 CENTRAL COMMERCE DR.
PFLUGERVILLE, TEXAS 78660
Tel: 888.934.9449
Bus: 512.487.5116
Fax: 512.487.7016

PRODUCT

34" Appliance Cabinet for

Item No. SAC34CGDC

DESCRIPTION

34" Appliance Cabinet for Item No. SUNCHDZ28

- Lifetime Structure Warranty
- 304 Stainless Steel Structure
- 304 SS Rod Handles
- Front & Back Kick-Plates
- Easy Pin-Lock Installation
- Soft-Close Drawer Tracks
- Covered Access Ports
- Adjustable Peg-Legs
- Optional Wheel Casters

INCLUDED COMPONENTS

- Front Vented Kick Plate
- Back Solid Kick Plate
- (4) Adjustable Peg Legs

PRODUCT DIMENSIONS

34"W x 28-1/4"D (w/Doors) x 34-1/2"H (w/Legs) or 30-1/2"H (no Legs) or Upto 36" Max Adjustable Height

INSERTABLE PRODUCTS

Sunstone 28" Charcoal Grill Item No. SUNCHDZ28

(See next page Trim Kit Guide for other insertable product Brands)

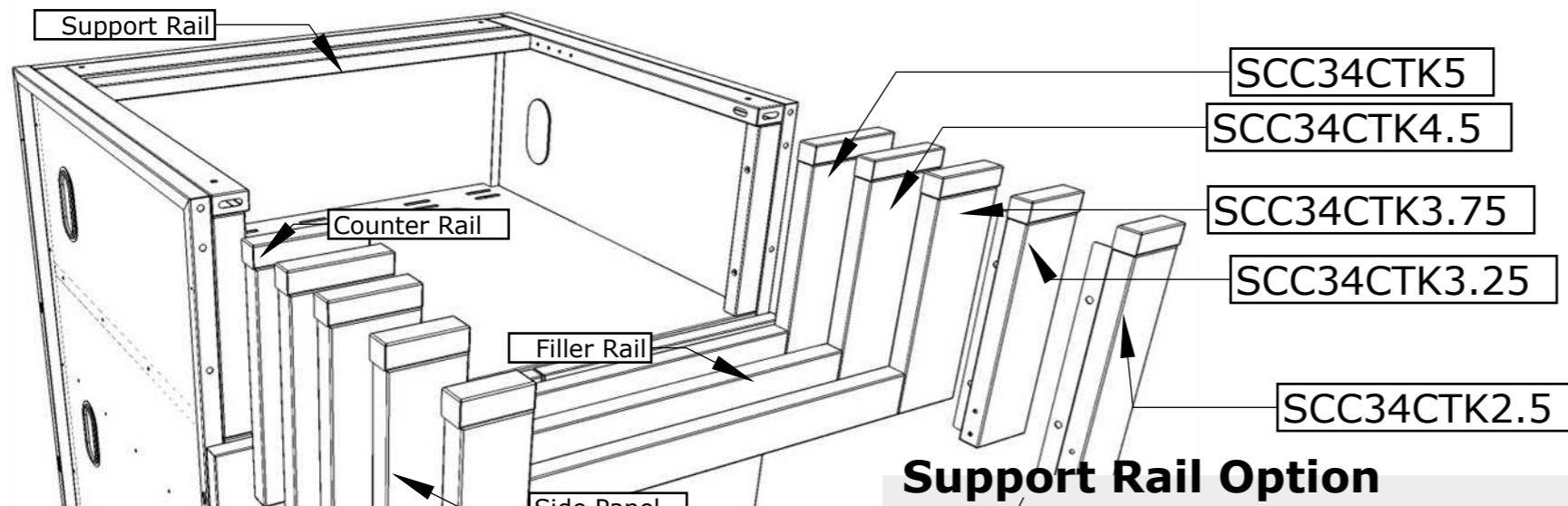
MATERIAL SPECS

304 Stainless Steel entire structure, 18 Gauge for Door Panel, 18 Gauge for Cabinet Box, 18 Gauge for Shelf, Handles are made of Solid 304 Stainless Steel Bar.

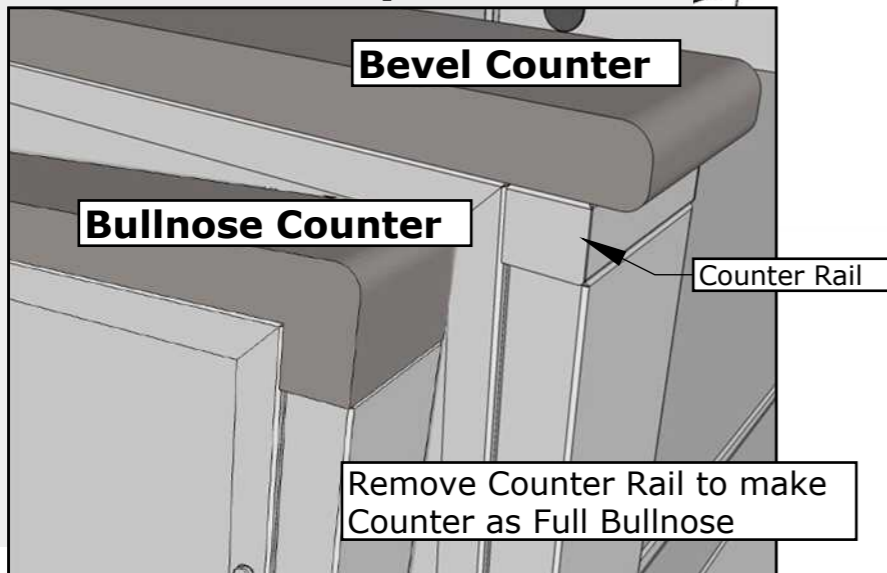
SAC34CGDC TRIM-KIT

Disclaimer: The trademarks used in the "Product Option" column below belong to their respective owners who do not sponsor nor are they affiliated with Sunstone Metal Products, L.L.C. The specific product Cut-Out Dimensions have not been directly confirmed by any Sunstone Metal Products LLC, representative or employee. Use own discretion to confirm exact product fit.

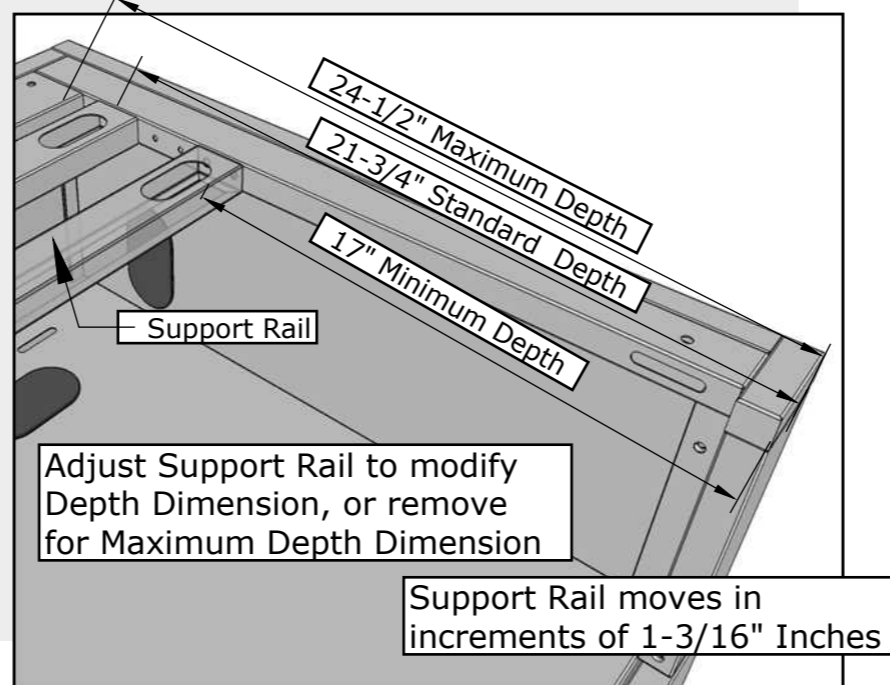
Model Number	Sleeve Cut-Out	Product Option
SCC34CTK2.5	28-1/2" Width x 12-3/4" Height x 24-1/2" Maximum Depth	PCM® 30" Charcoal, Twin Eagles® 30" Charcoal, Vintage® 30" Charcoal, Wolf® 30"
SCC34CTK3.25	27-1/2" Width x 12-3/4" Height x 24-1/2" Maximum Depth	
SCC34CTK3.75	26-3/8" Width x 10-3/8" Height w/Rail or 12-3/4" Height wo/Rail x 24-1/2" Maximum Depth	Sunstone® 28" Charcoal, Fire Magic® Aurora® Grill
SCC34CTK4.5	25" Width x 10-3/8" Height w/Rail or 12-3/4" Height wo/Rail x 24-1/2" Maximum Depth	
SCC34CTK5	23-7/8" Width x 10-3/8" Height w/Rail or 12-3/4" Height wo/Rail x 24-1/2" Maximum Depth	



Counter Rail Option



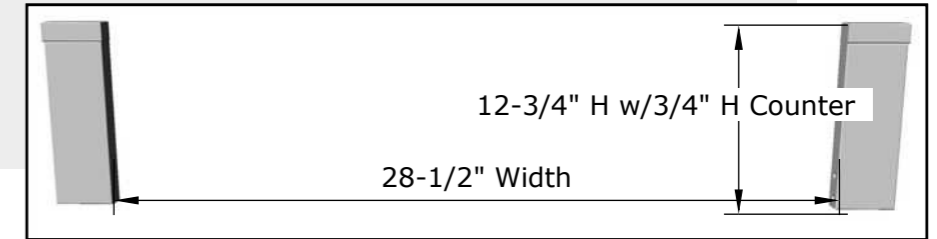
Support Rail Option



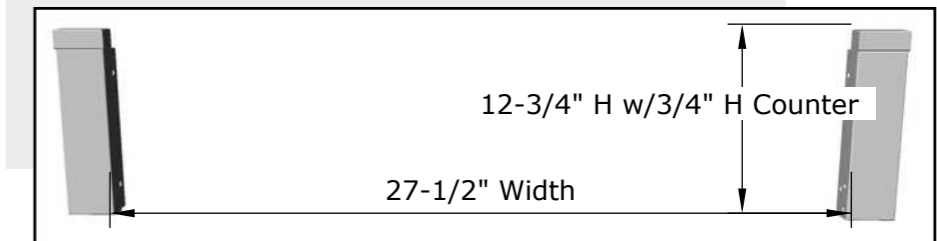
Trim-Kit Sleeve Dimensions

Compatible between 23-7/8" to 28-1/2", 10-3/8" to 12-3/4" Max Height with counter at 3/4" Height with Filler Rail installed or removed. (Additional Height can be adjusted by Removing Bottom Filler Rail or by adding a Thicker Counter or Backer Board)

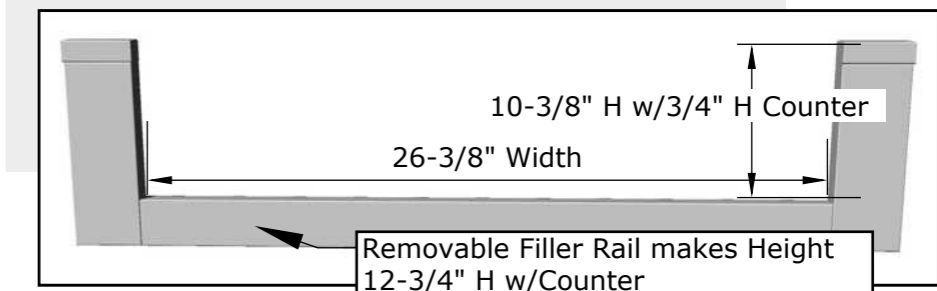
Item No. SCC34CTK2.5



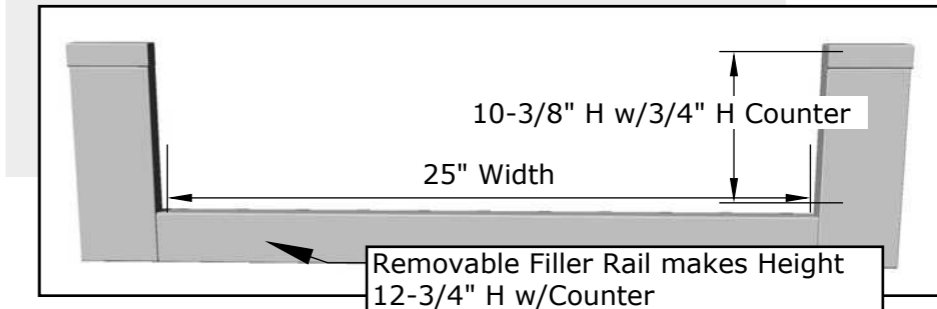
Item No. SCC34CTK3.25



Item No. SCC34CTK3.75



Item No. SCC34CTK4.5



Item No. SCC34CTK5

