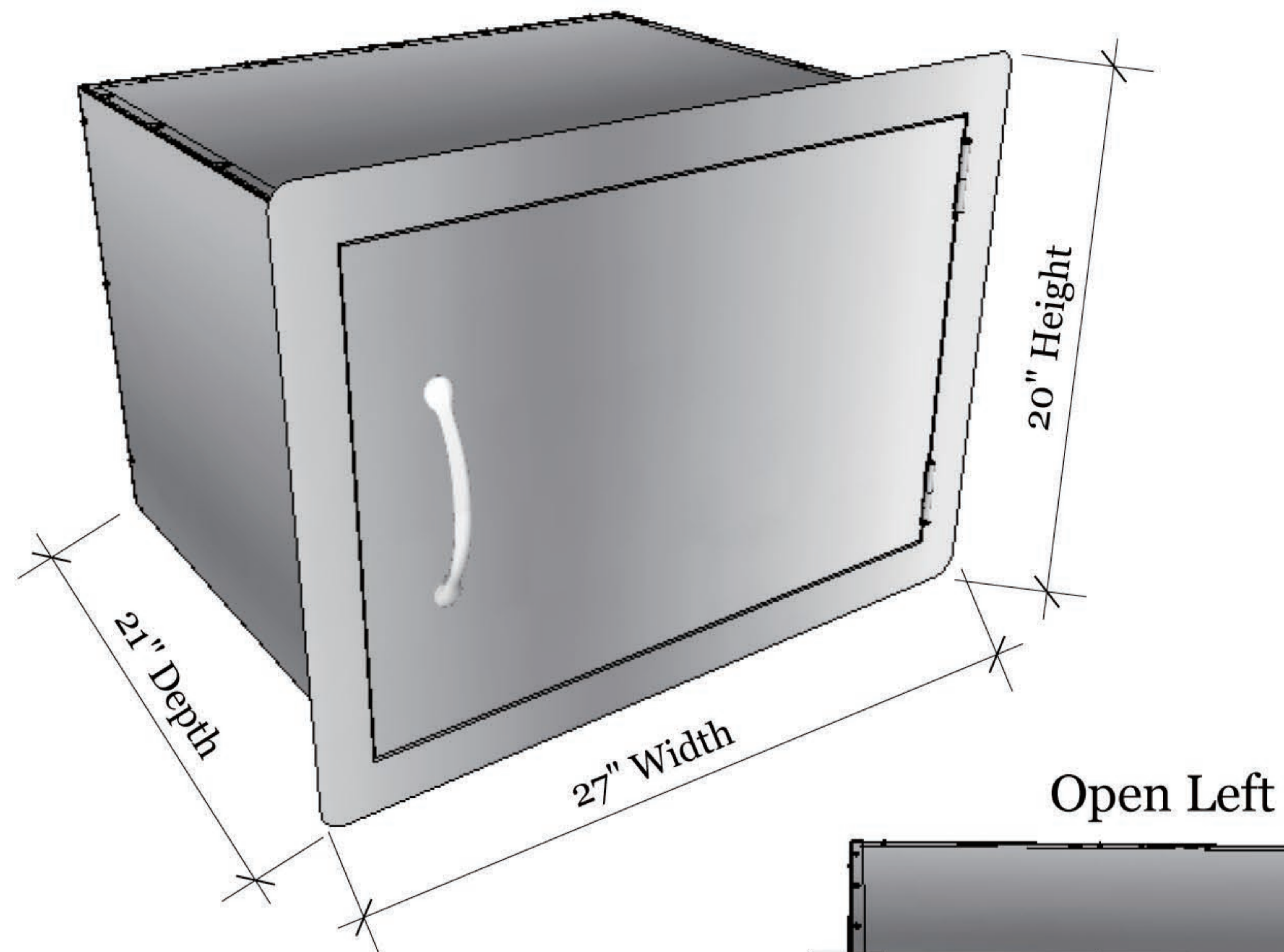
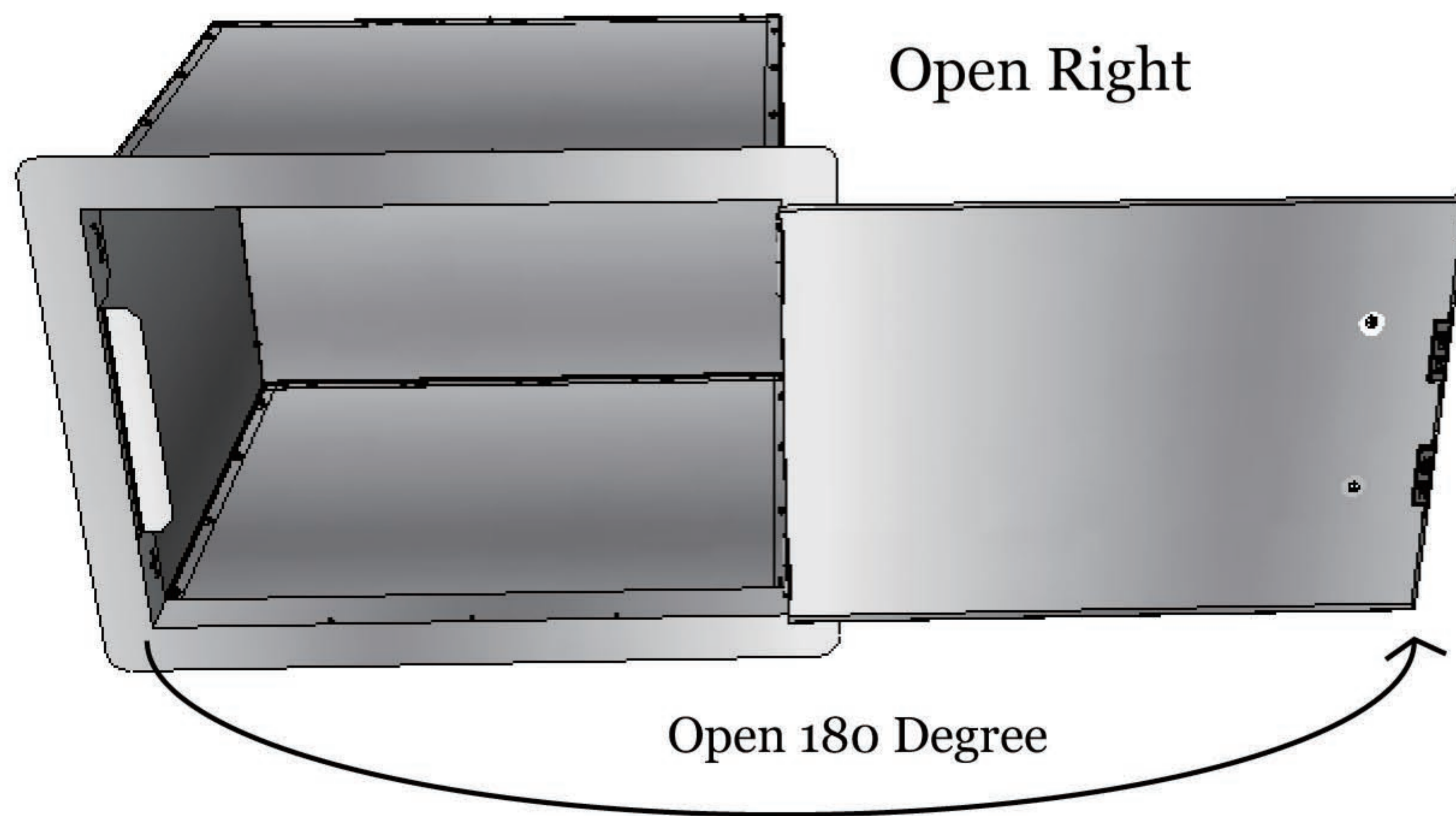
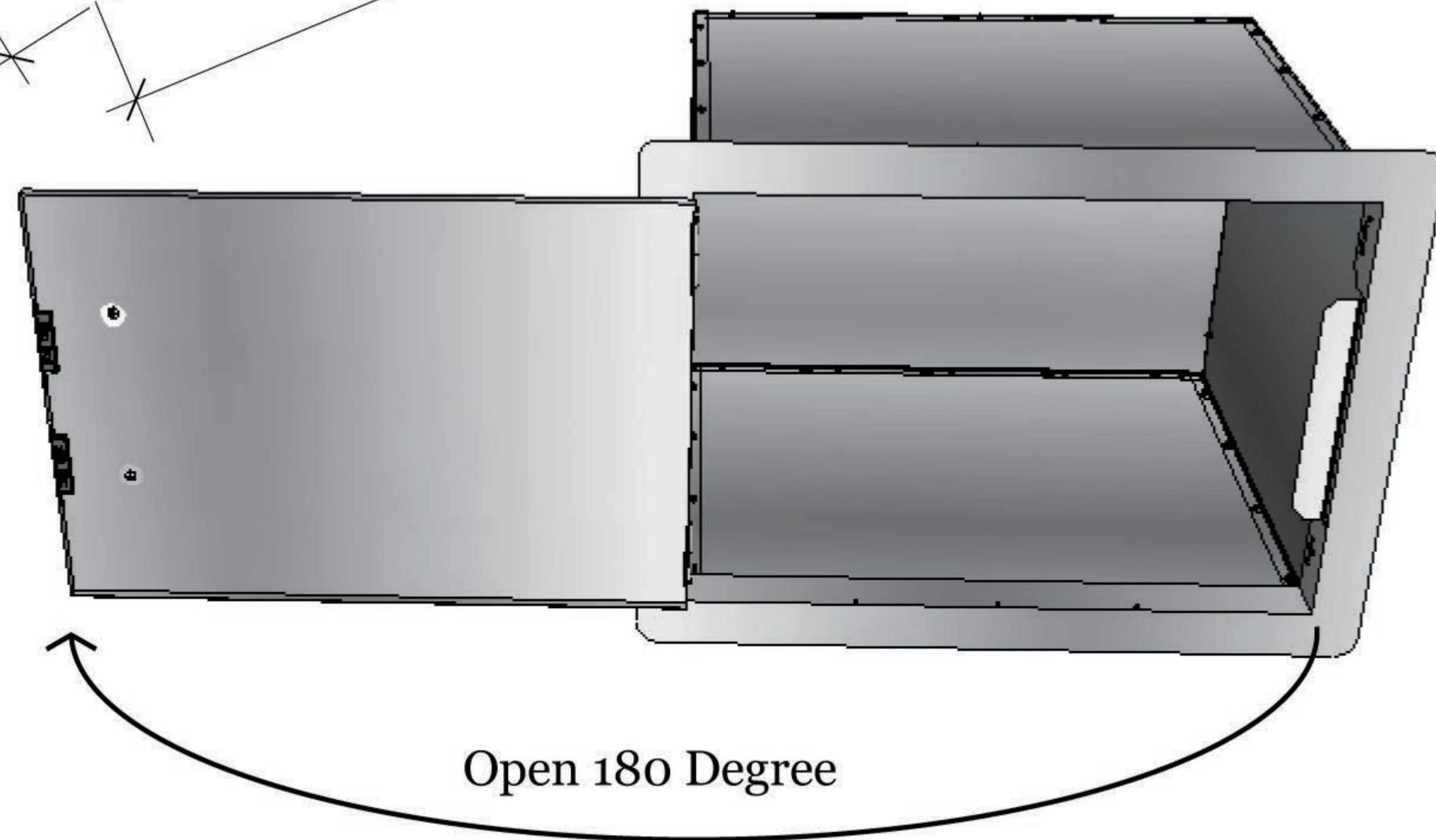


Product Dimensions

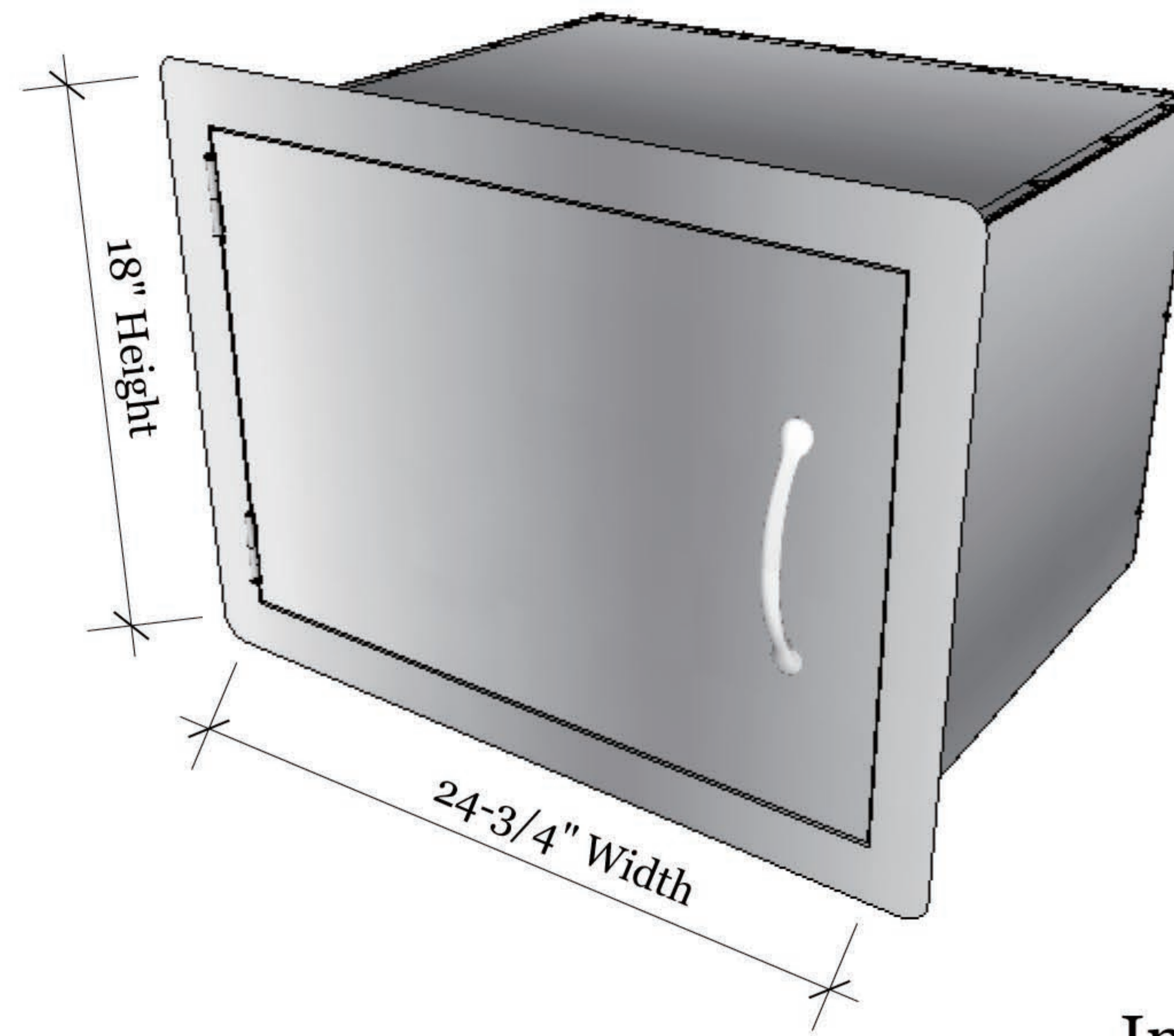


Open Left

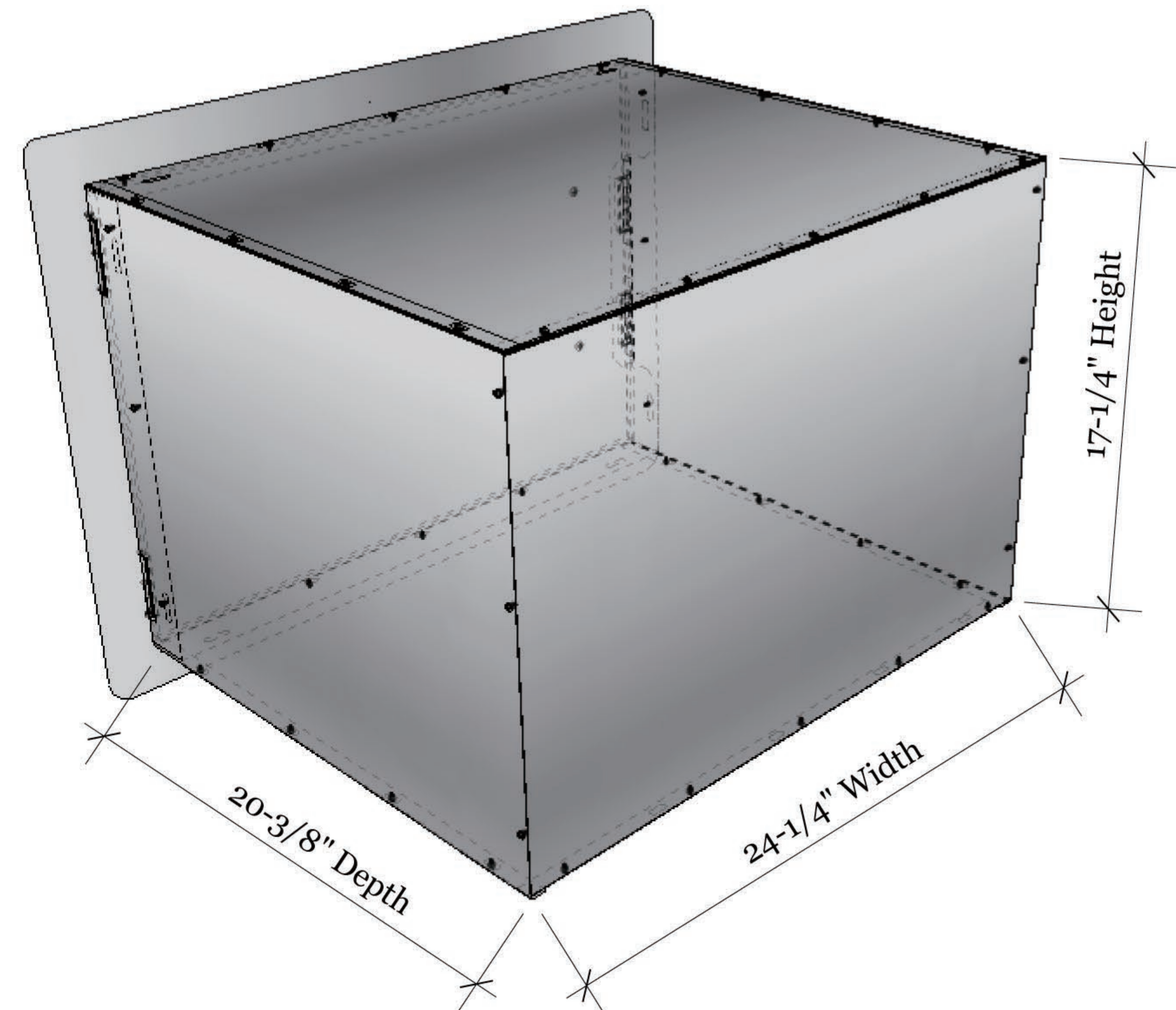


Open Right

Cut-Out Dimensions



Interior Space



SOME ASSEMBLY REQUIRED

Sunstone Metal Products
16004 Central Commerce Dr
Pflugerville TX 78660
Tel: 888.934.9449
Bus: 512.487.5116
Fax: 512.487.7016

PRODUCT
17" X 24" HORIZONTAL DRY STORAGE
PANTRY W/SHELF
Item No. DSH1724

DESCRIPTION
304 stainless construction, flush
mounted Polished Look. Cabinet
is fully inclosed air tight.

17" X 24" Horizontal DryStorage Pantry
27"W x 20"H x 21"D(Product Size)
24-3/4"W x 18"H(Cut-out)
43 LBS (Weight)

Material Specifications:
16 gauge 304 stainless steel for door
18 gauge galvanized sheet for the box
Handles are made of zinc alloy,
chrome plated.