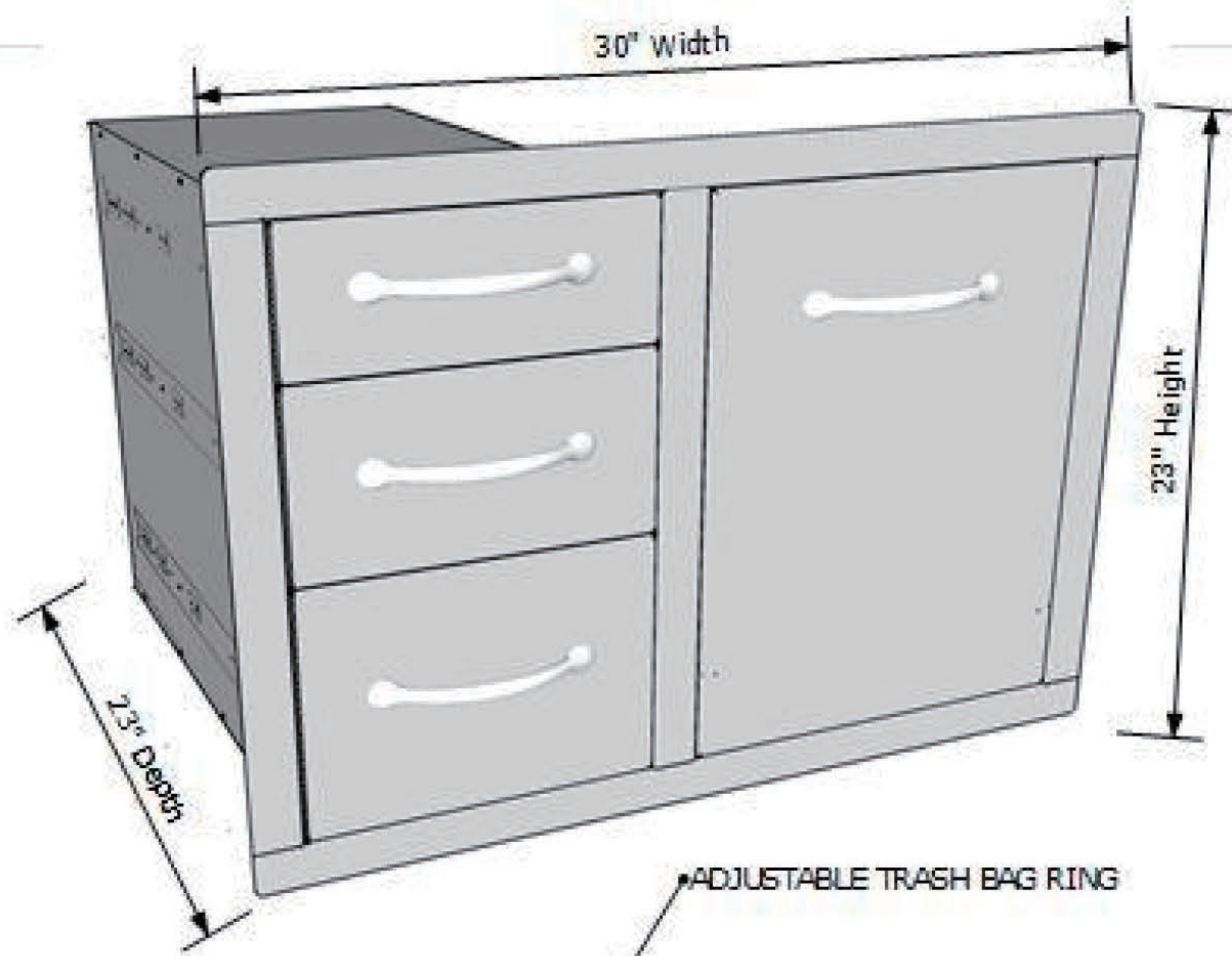
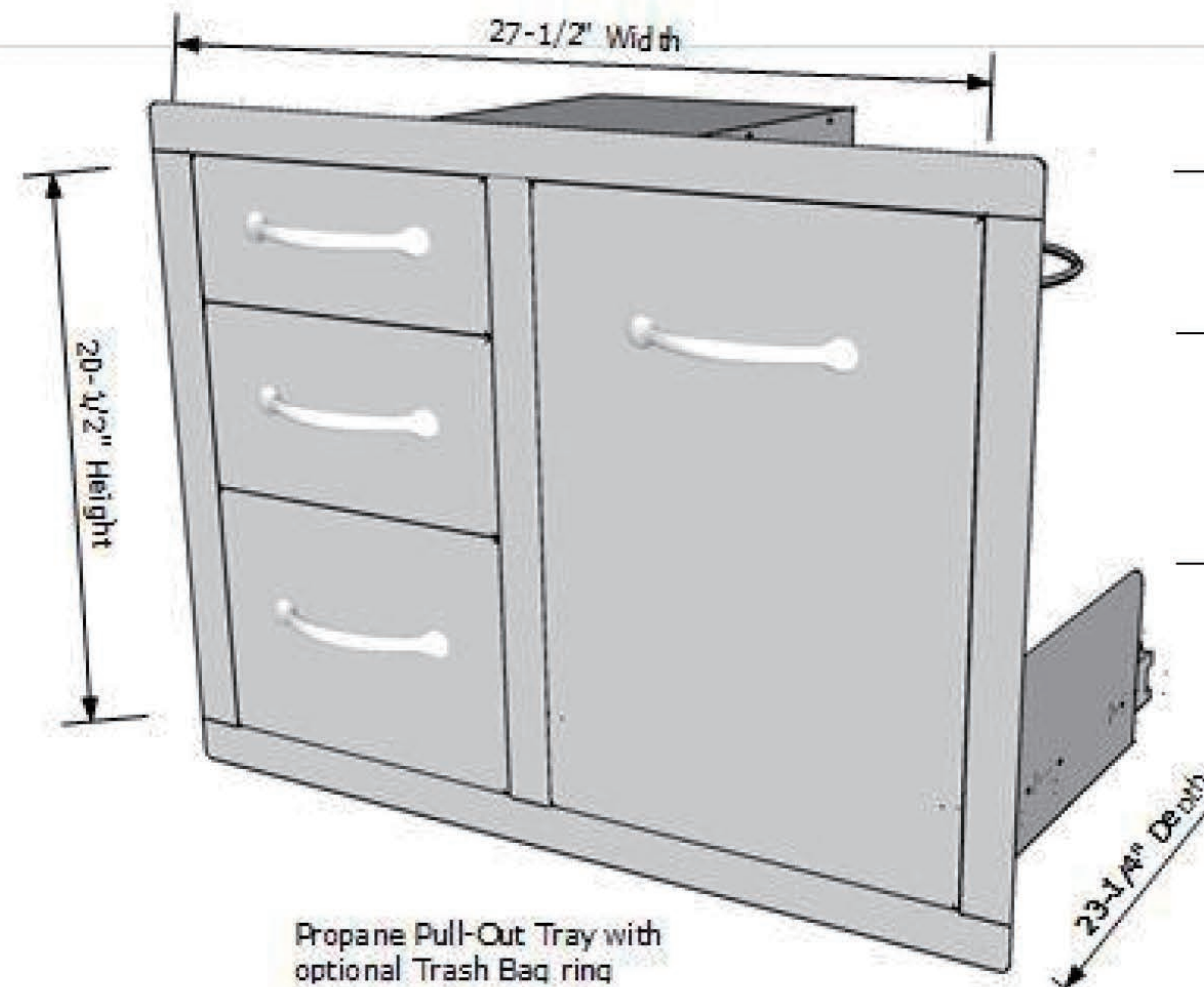


PRODUCT SIZE



CUT-OUT SIZE



Sunstone Metal Products
 16004 Central Commerce Dr
 Pflugerville TX 78665
 Tel: 888.934.9449
 Bus: 512.487.5116
 Fax: 512.487.7016

PRODUCT
 30" Tank Tray Triple Combo
 Item No. A-LPCTD30

DESCRIPTION
 30" Tank Tray Triple Drawer
 Combo w/Trash Ring

SPECIFICATIONS
 30"W x 23" D x 23" H (Product Size)
 27-1/2" W x 23-1/4" D 20-1/2" H (Cut-out)
 69 LBS (Weight)

Material Specifications:
 304 Stainless Steel 16 Gauge for
 Frame 18 Gauge for Door 18 Gauge 20
 gauge 201 SS for Drawer Box
 Handles are made of Zinc Alloy
 Chrome Plated.

