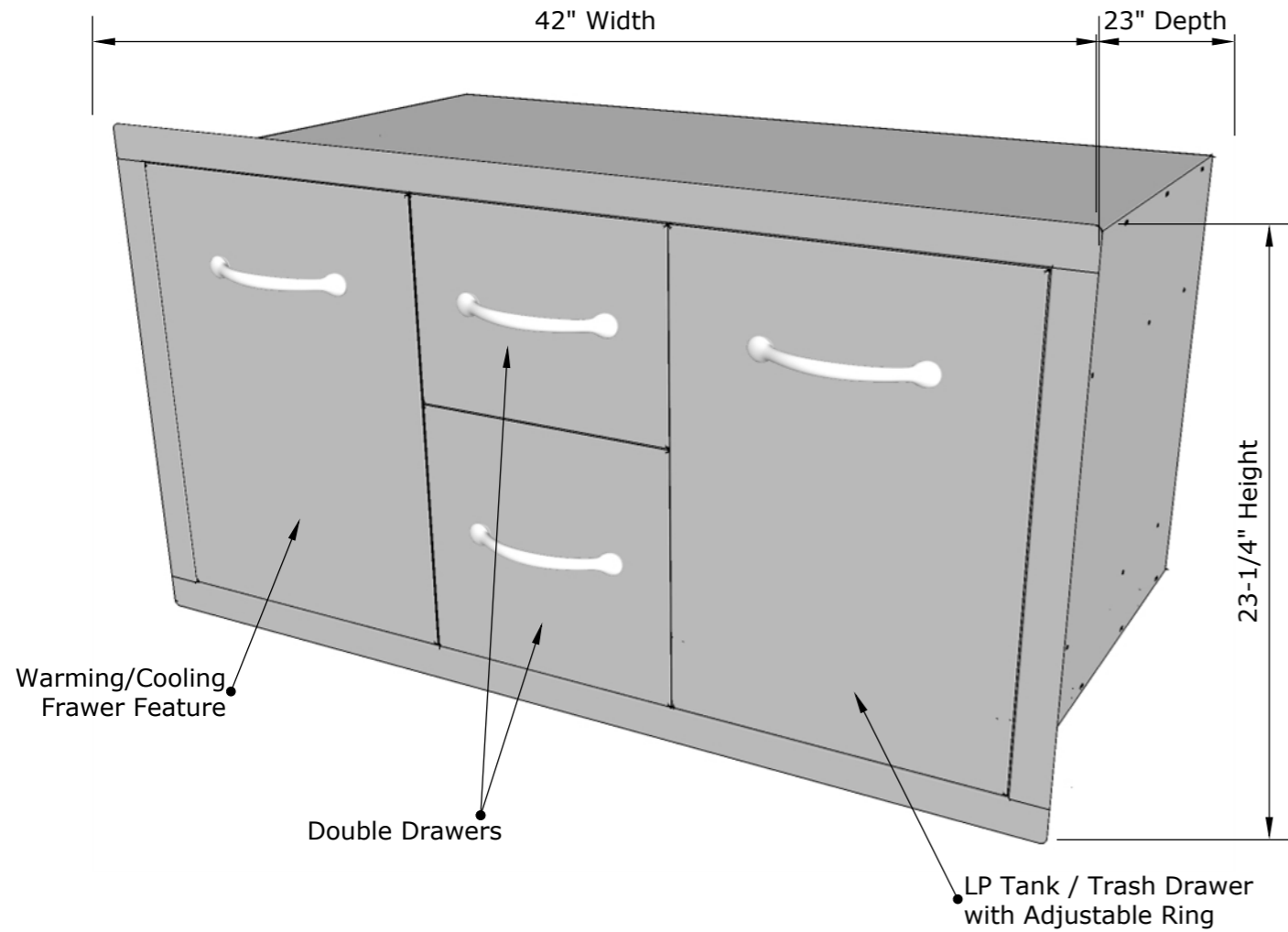
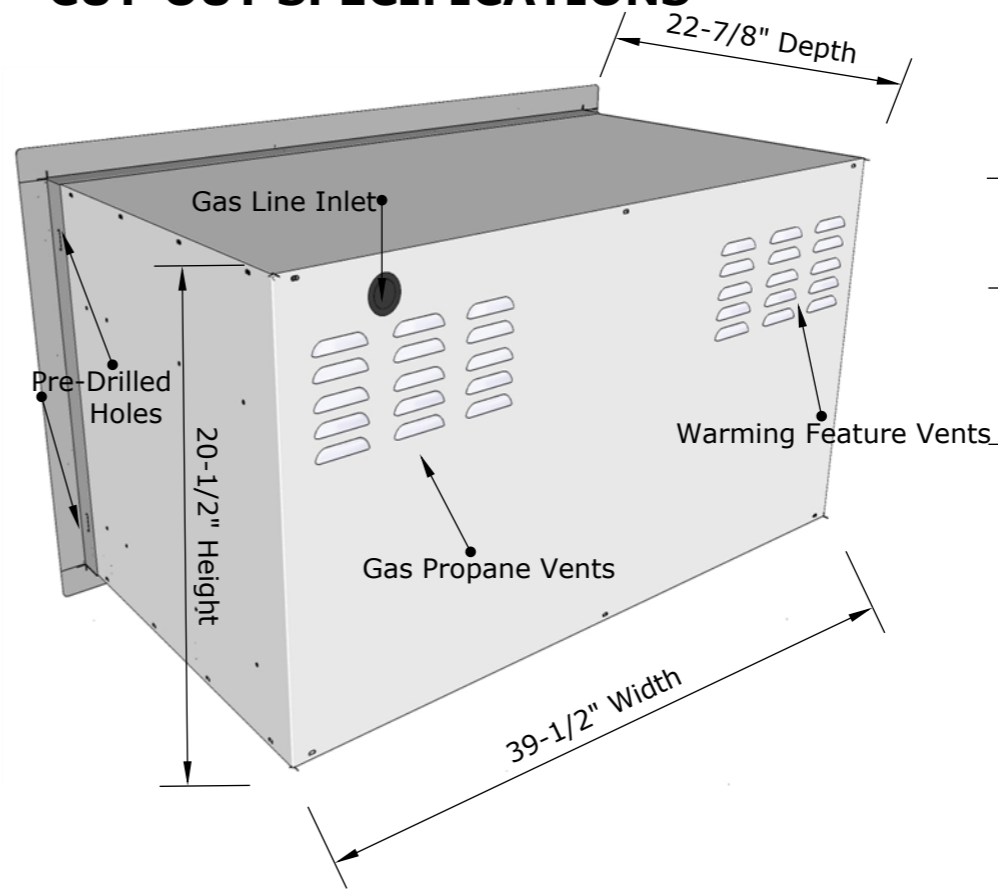


PRODUCT SPECIFICATIONS



CUT-OUT SPECIFICATIONS



SUNSTONE METAL PRODUCTS LLC.
 16004 Central Commerce Dr.
 Pflugerville, TX. 78665
 Tel: 888.934.9449
 Bus: 512.487.5116
 Fax: 512.487.7016

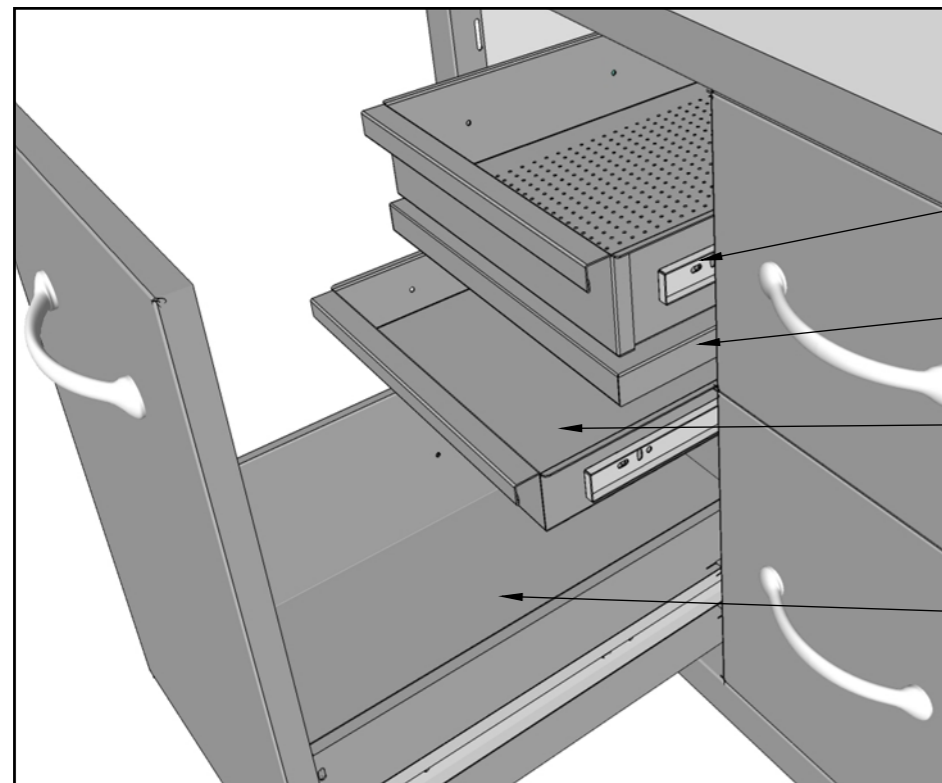
PRODUCT
 42" Multi-Storage - Multi-Function
 Item No. A-LPCDD42

DESCRIPTION
 304 Stainless Steel, Classic Series Flush Style Large under grill Multi-Purpose Storage Component

42" W x 23-1/4" H x 23" D (Product Size)
 39-3/8" W x 20-1/2" H (Cut-out)
 105 LBS (Product Weight)

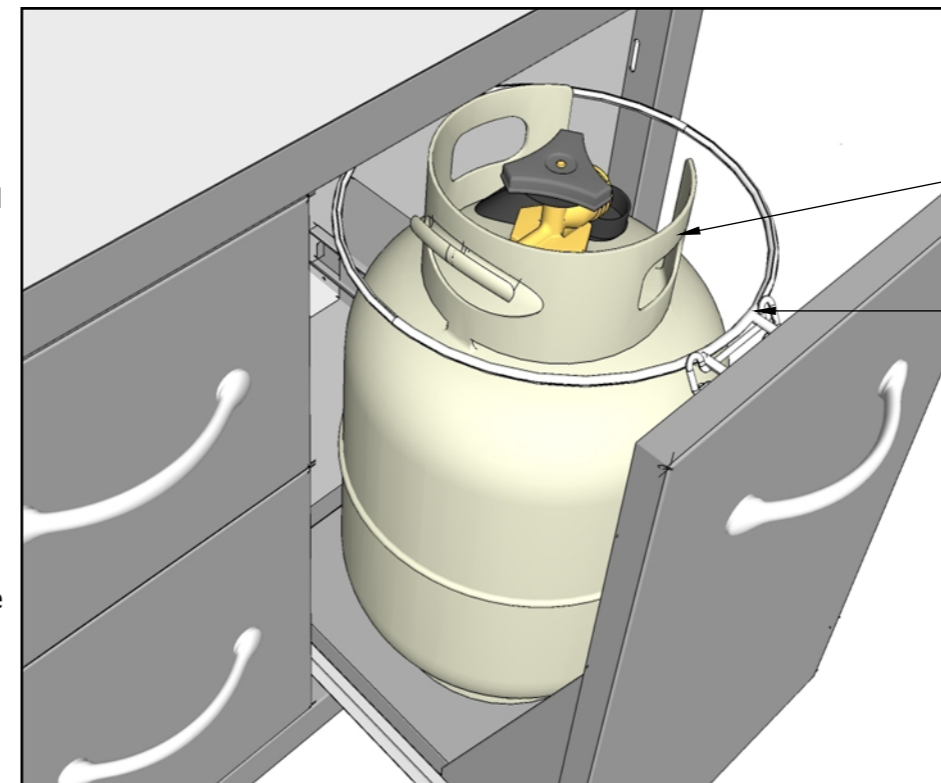
16 gauge 304 stainless steel door frame; 20 gauge 201 stainless steel cabinet; 20 gauge drawer; and 18 gauge 304 door panel

WARMING OR COOLING DRAWERS FEATURE



- Place Food items here to be warmed, like Bread, or Prepared Meals waiting to be served
- Heat Shield is used to spread heat out more evenly
- Place Heating Source like Sterno Canisters here to create warmth in upper drawer
- Large Bottom Drawer for Storage or used as Ice Storage

LP-TANK OR TRASH STORAGE W/TRASH RING



- Add LP-Tank here, for Appliance has Port-Hole in Upper-Back for LP-Hose to Appliance
- Adjustable Trash Ring to easily fit trash bag over, fold down when not used