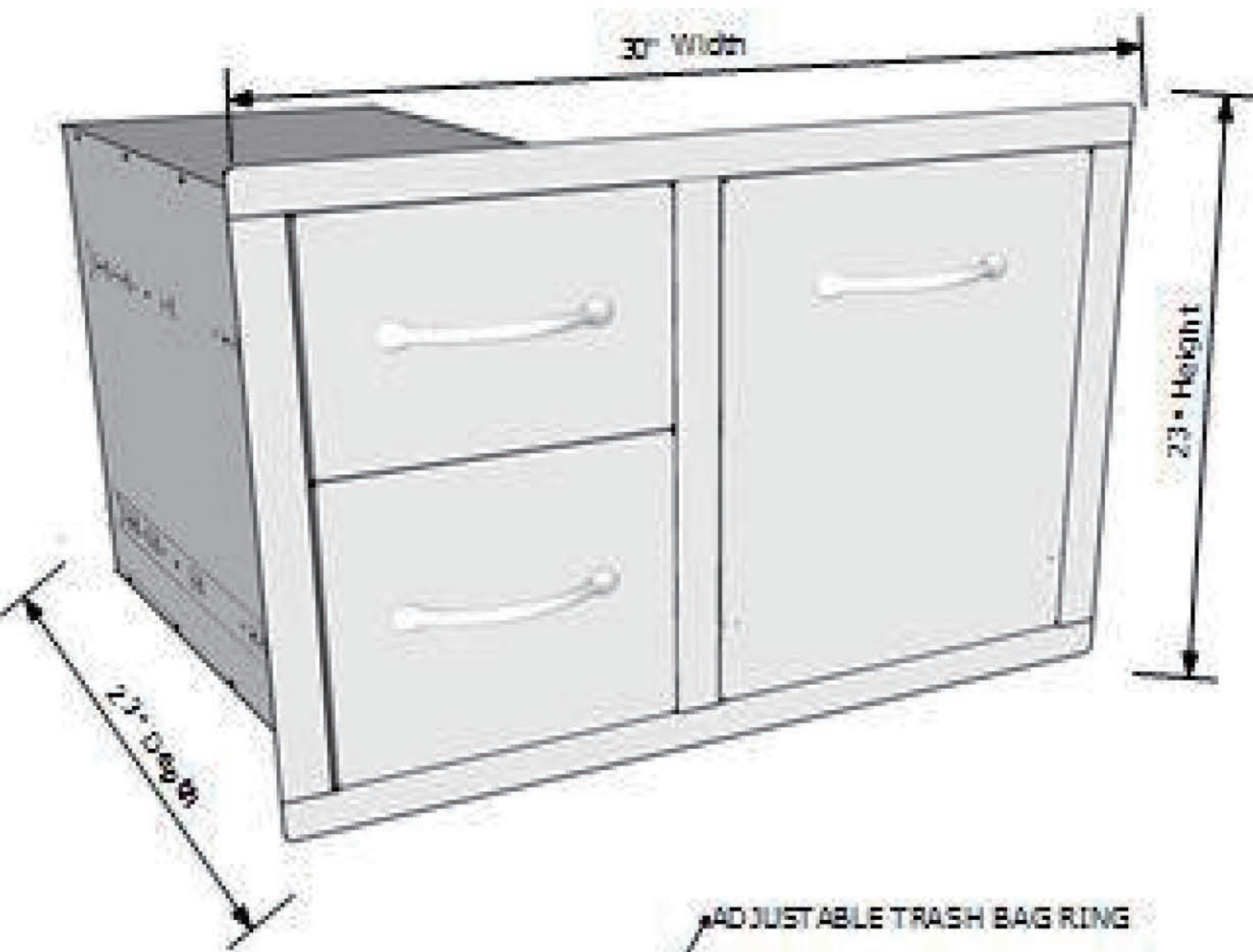
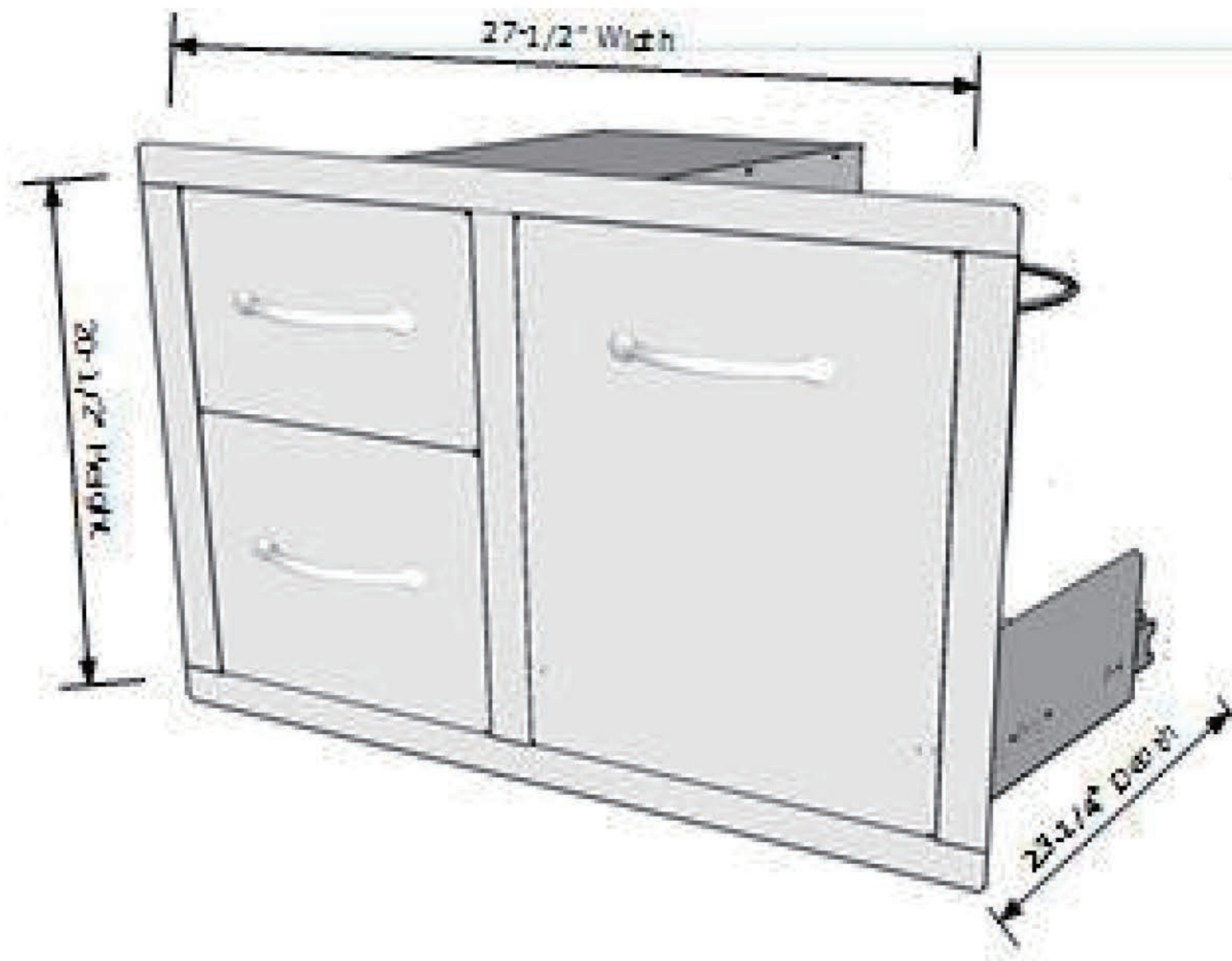


**PRODUCT SIZE**



**CUT-OUT SIZE**



Sunstone Metal Products  
 16004 Central Commerce Dr  
 Pflugerville TX 78665  
 Tel: 888.934.9449  
 Bus: 512.487.5116  
 Fax: 512.487.7016

**PRODUCT**  
 30" Tank Tray Double Combo  
 Item No. A-LPCDD30

**DESCRIPTION**  
 30" Tank Tray Double Drawer  
 Combo w/Trash Ring

**SPECIFICATIONS**  
 30"W x 23" D x 23" H (Product Size)  
 27-1/2" W x 23-1/4" D 20-1/2" H (Cut-out )  
 62 LBS ( Weight )

**Material Specifications:**  
 304 Stainless Steel 16 Gauge for  
 Frame 18 Gauge for Door 18 Gauge 20  
 gauge 201 SS for Drawer Box  
 Handles are made of Zinc Alloy  
 Chrome Plated.

