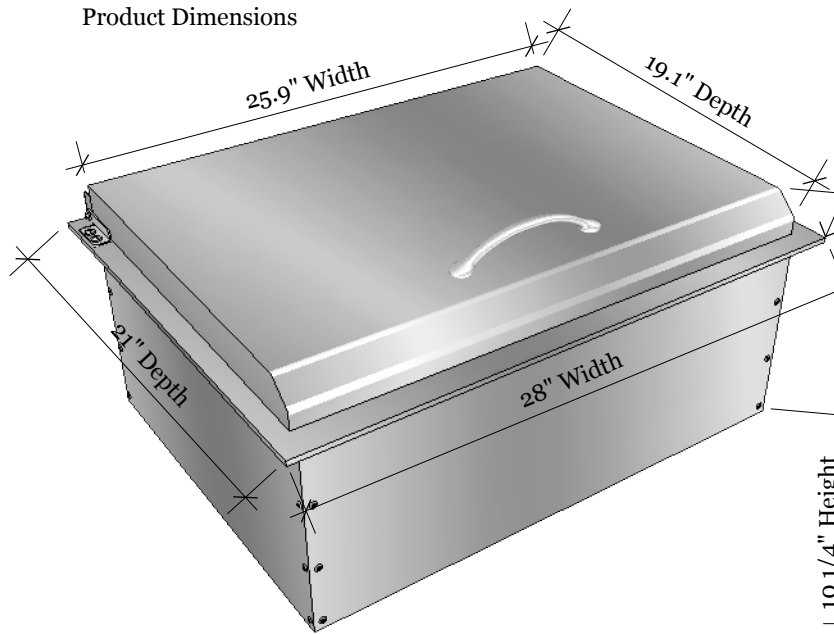
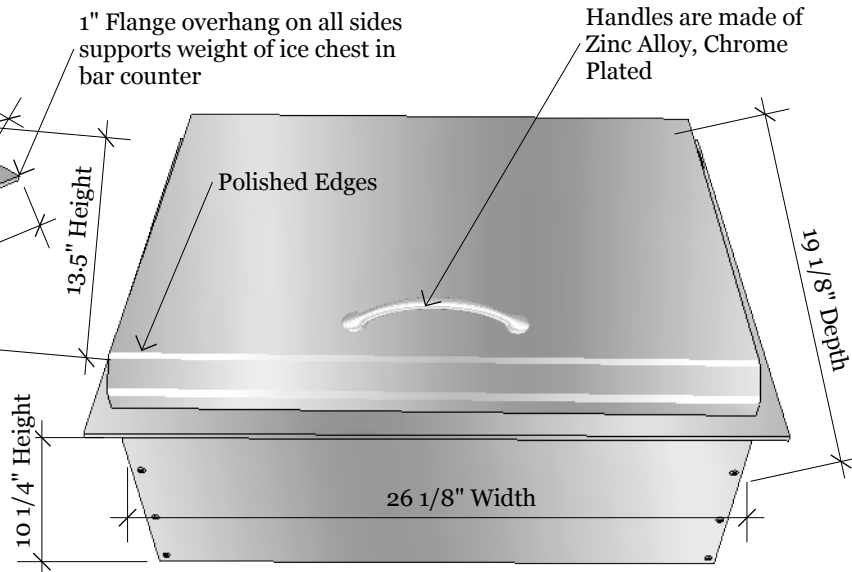


Product Dimensions



Cut-out Dimensions



Texas BBQ Wholesalers
 13802 Dragline Dr.
 Austin, TX. 78728
 Tel: 888.934.9449
 Bus: 512.487.5116
 Fax: 512.487.7016

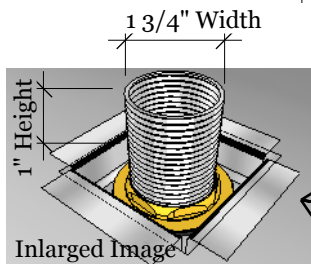
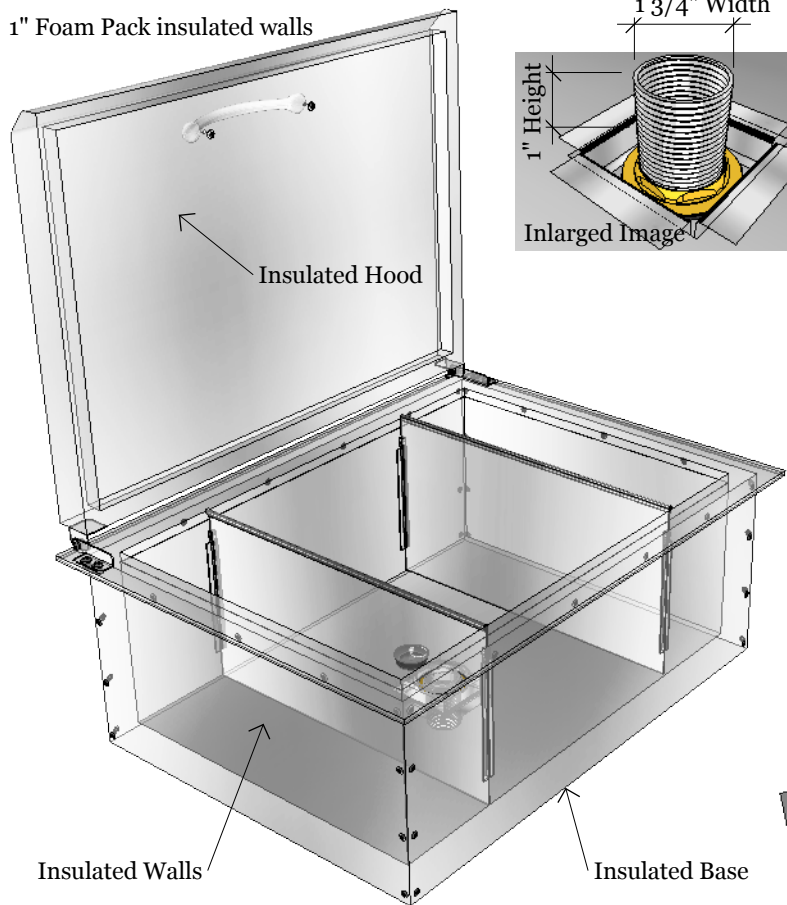
PRODUCT
 SUN Drop-in Ice Chest
 Item No. A-IC

DESCRIPTION
 Drop-in Ice Chest made of all 304 stainless steel, built to last with 1" thickness insulated walls and hood

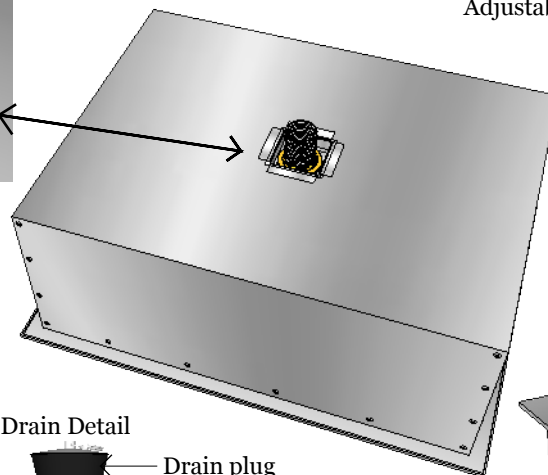
15x21 Vertical Single Door w/Shelf
 28" W x 21"D x 13.5" H (Product Size)
 26-1/8"W x 19-1/8" D x 10-1/4" H (Cut-out)
 57 LBS (Weight)

Material Specifications:
 304 Stainless Steel
 16 Gauge for frame and hood
 20 Gauge for outside box
 Handles are made of Zinc Alloy, Chrome Plated.

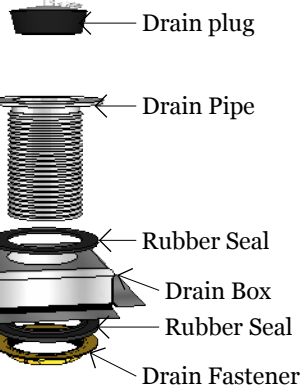
1" Foam Pack insulated walls



Drain Connection

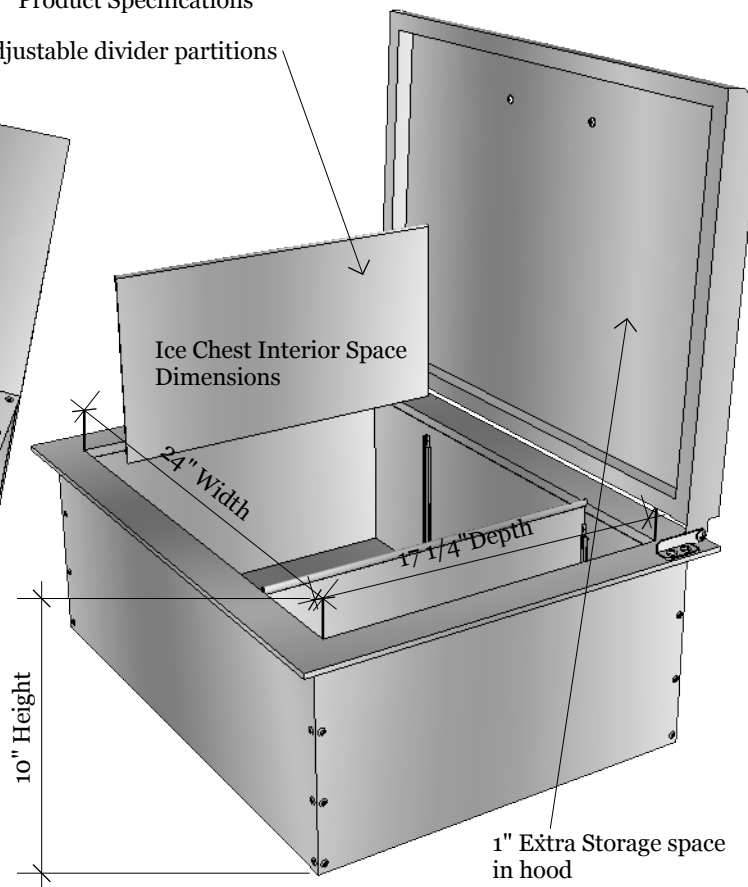


Drain Detail



Product Specifications

Adjustable divider partitions



Ice Chest Interior Space Dimensions

1" Extra Storage space in hood